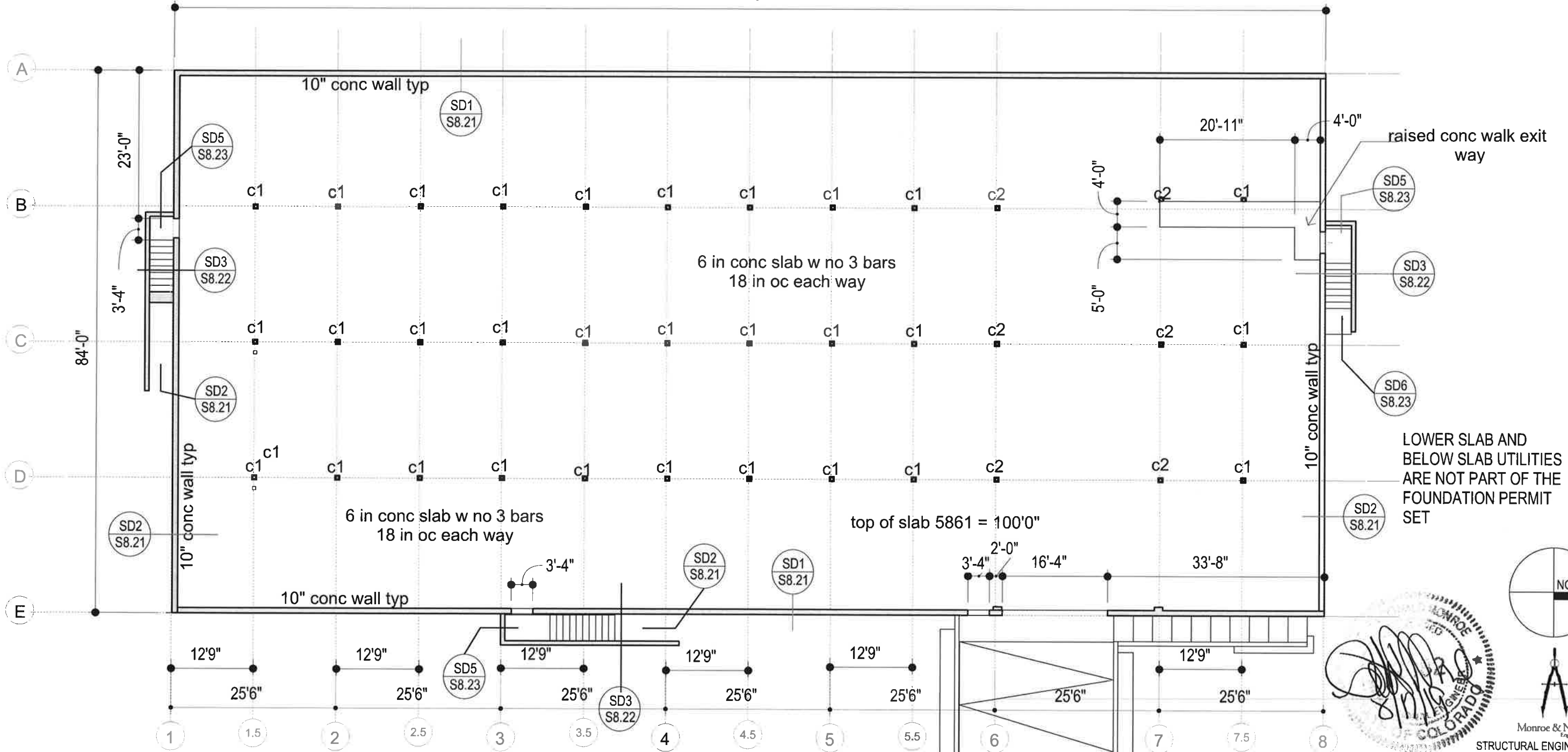


178'-6"



type	column schedule	column size	base plate	remarks
c1		hss6x6x3/8	3/4"x10"x10"	
c2		hss6x6x1/2	3/4"x10"x10"	

STRUCTURAL LOWER FLOOR PLAN

SCALE 1'=16'

© COPYRIGHT 2019 KARIUS ARCHITECTURE LLC. THESE DRAWINGS ARE PROPERTY OF THE ARCHITECT AND ARE INSTRUMENTS OF SERVICE. THEY CAN NOT BE COPIED OR REPRODUCED IN ANY MANNER WITHOUT WRITTEN CONSENT OF THE ARCHITECT.

767 NILE ST
GOLDEN CO JEFFERSON COUNTY

H MANUFACTURING CO

KARIUS
ARCHITECTURE
LLC

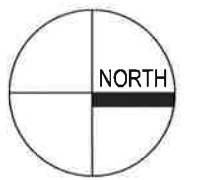
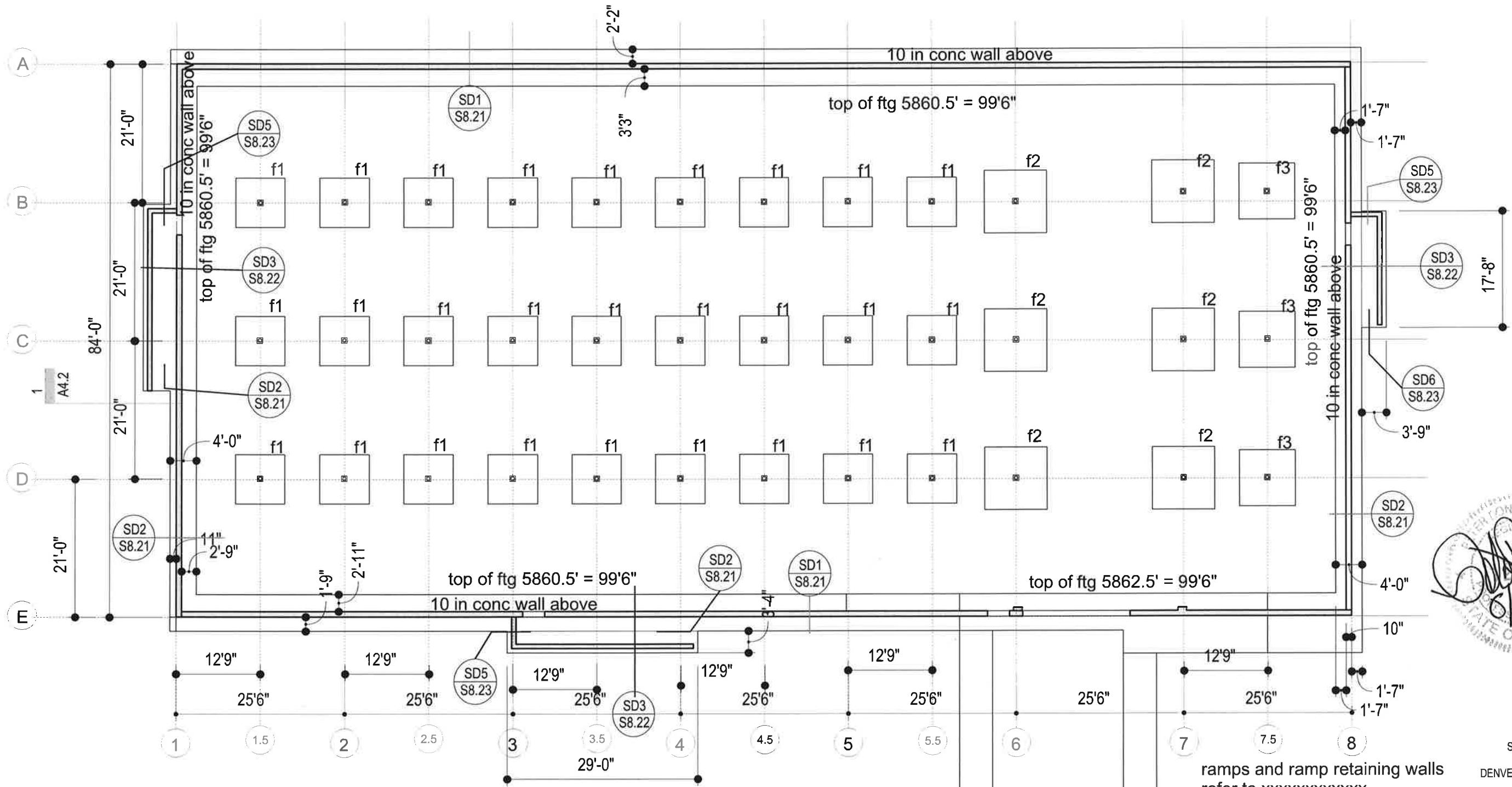
PO BOX 125 303.393.6350
DENVER CO 80201 pk@karius.com

date 02-20-2017
REV xxx

S2.01

(C) COPYRIGHT 2019

(C) COPYRIGHT KARIUSARCHITECTURE LLC. THESE DRAWINGS ARE PROPERTY OF THE ARCHITECT AND ARE INSTRUMENTS OF SERVICE. THEY CAN NOT BE COPIED OR REPRODUCED IN ANY MANNER WITHOUT WRITTEN CONSENT OF THE ARCHITECT.



Monroe & Newell
 ENGINEERS, INC.
 STRUCTURAL ENGINEERS
 1400 GLENARM ST - 101
 DENVER CO 80202 303.623.4927

ramps and ramp retaining walls refer to xxxxxxxxxxxx

type	footing schedule	reinforcement	tof	remarks
f1	7'9"x7'9"x1'6"	7 no 6 bars at bottom each way	5860.5 = 99'6"	
f2	9'6"x9'6"x2'0"	12 no 6 bars at bottom each way	5860.5 = 99'6"	
f3	8'6"x8'6"x1'8"	9 no 6 bars at bottom each way	5860.5 = 99'6"	

STRUCTURAL FOOTING PLAN

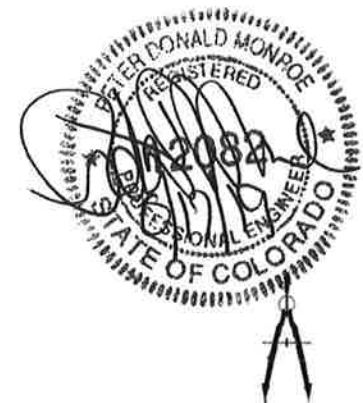
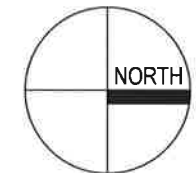
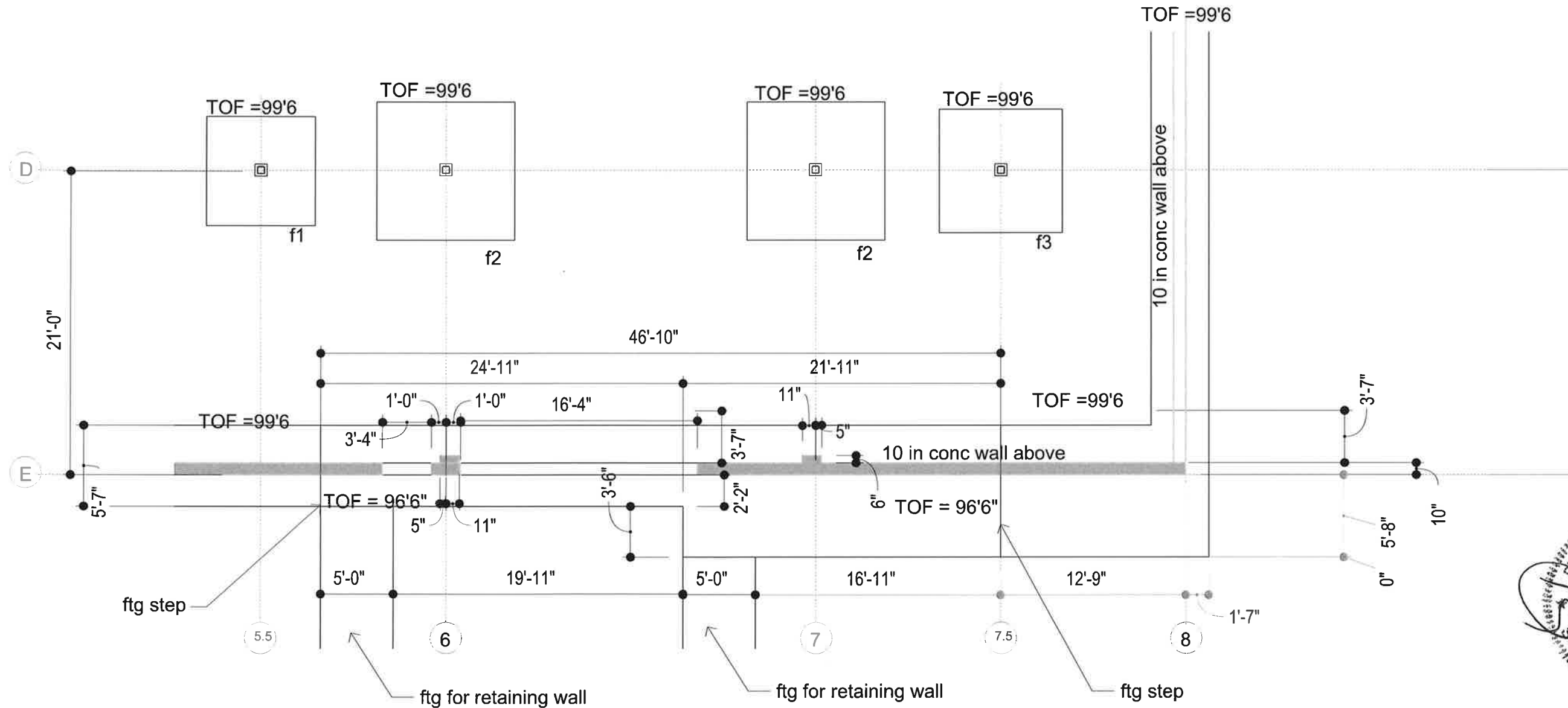
SCALE 1"=16'

date 02-20-2017
 REV xxx

S2.02

(C) COPYRIGHT 2019

(C) COPYRIGHT 2019 KARIUSARCHITECTURE LLC. THESE DRAWINGS ARE PROPERTY OF THE ARCHITECT AND ARE INSTRUMENTS OF SERVICE. THEY CAN NOT BE COPIED OR REPRODUCED IN ANY MANNER WITHOUT WRITTEN CONSENT OF THE ARCHITECT.



Monroe & Newell
 ENGINEERS, INC.
 STRUCTURAL ENGINEERS
 1400 GLENARM ST - 101
 DENVER CO 80202 303.623.4927

type	footing schedule	reinforcement	remarks
f1	7'9"x7'9"x1'6"	7 no 6 bars at bottom each way	
f2	9'6"x9'6"x2'0"	12 no 6 bars at bottom each way	
f3	8'6"x8'6"x1'8"	9 no 6 bars at bottom each way	

STRUCTURAL ENLARGED FOOTING PLAN

SCALE 1"=16'

767 NILE ST
GOLDEN CO JEFFERSON COUNTY

H MANUFACTURING CO

KARIUS
ARCHITECTURE
LLC

PO BOX 125 303.393.6350
DENVER CO 80201 pk@karius.com

date 02-20-2017
REV xxx

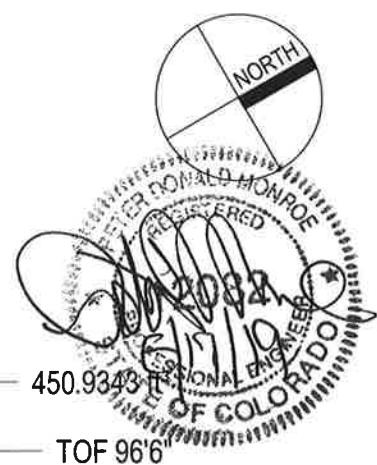
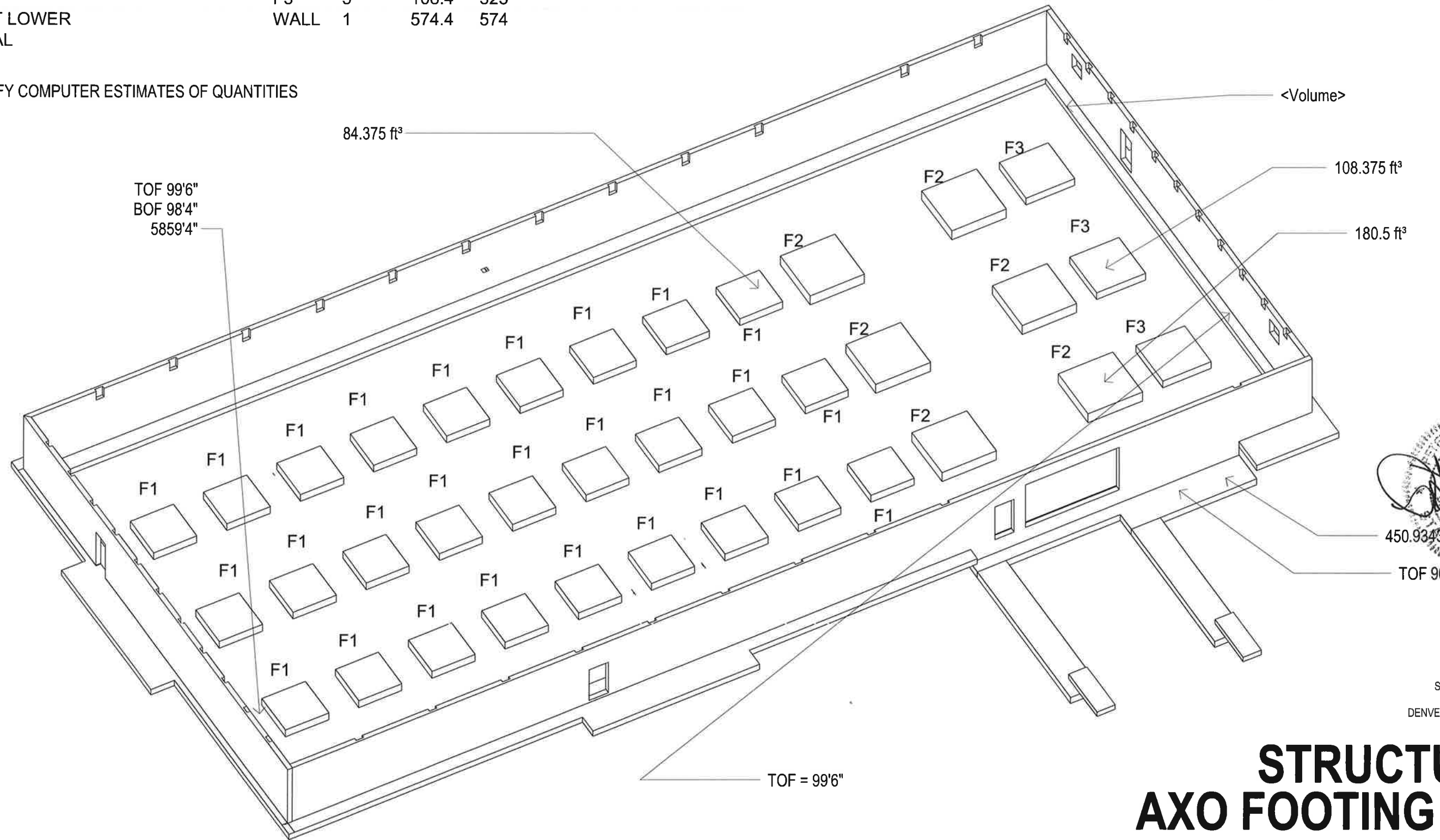
S2.03

(C) COPYRIGHT 2019

(C) COPYRIGHT 2019 KARIUS ARCHITECTURE LLC. THESE DRAWINGS ARE PROPERTY OF THE ARCHITECT AND ARE INSTRUMENTS OF SERVICE. THEY CAN NOT BE COPIED OR REPRODUCED IN ANY MANNER WITHOUT WRITTEN CONSENT OF THE ARCHITECT.

FOOTING	TYPE	QUAN	EACH	TOTAL	type	footing schedule	reinforcement	tof	BOF
WEST / SOUTH NORTH	WALL	1	3981	3981					
INTERIOR FOOTING	F1	27	84.4	2279	f1	7'9"x7'9"x1'6"	7 no 6 bars at bottom each way	5860.5 = 99'6"	5859'0"
	F2	6	180.5	1083	f2	9'6"x9'6"x2'0"	12 no 6 bars at bottom each way	5860.5 = 99'6"	5858'0"
	F3	3	108.4	325	f3	8'6"x8'6"x1'8"	9 no 6 bars at bottom each way	5860.5 = 99'6"	5858'4"
EAST LOWER	WALL	1	574.4	574					
TOTAL									

VERIFY COMPUTER ESTIMATES OF QUANTITIES



Monroe & Newell
 Engineers, Inc.
 STRUCTURAL ENGINEERS
 1400 GLENARM ST - 101
 DENVER CO 80202 303.623.4927

STRUCTURAL AXO FOOTING PLAN

SCALE 1'=16'

16 JUN 2019

PERMIT SET FOUNDATION ONLY

767 NILE ST
GOLDEN CO JEFFERSON COUNTY

H MANUFACTURING CO

KARIUS
ARCHITECTURE
LLC

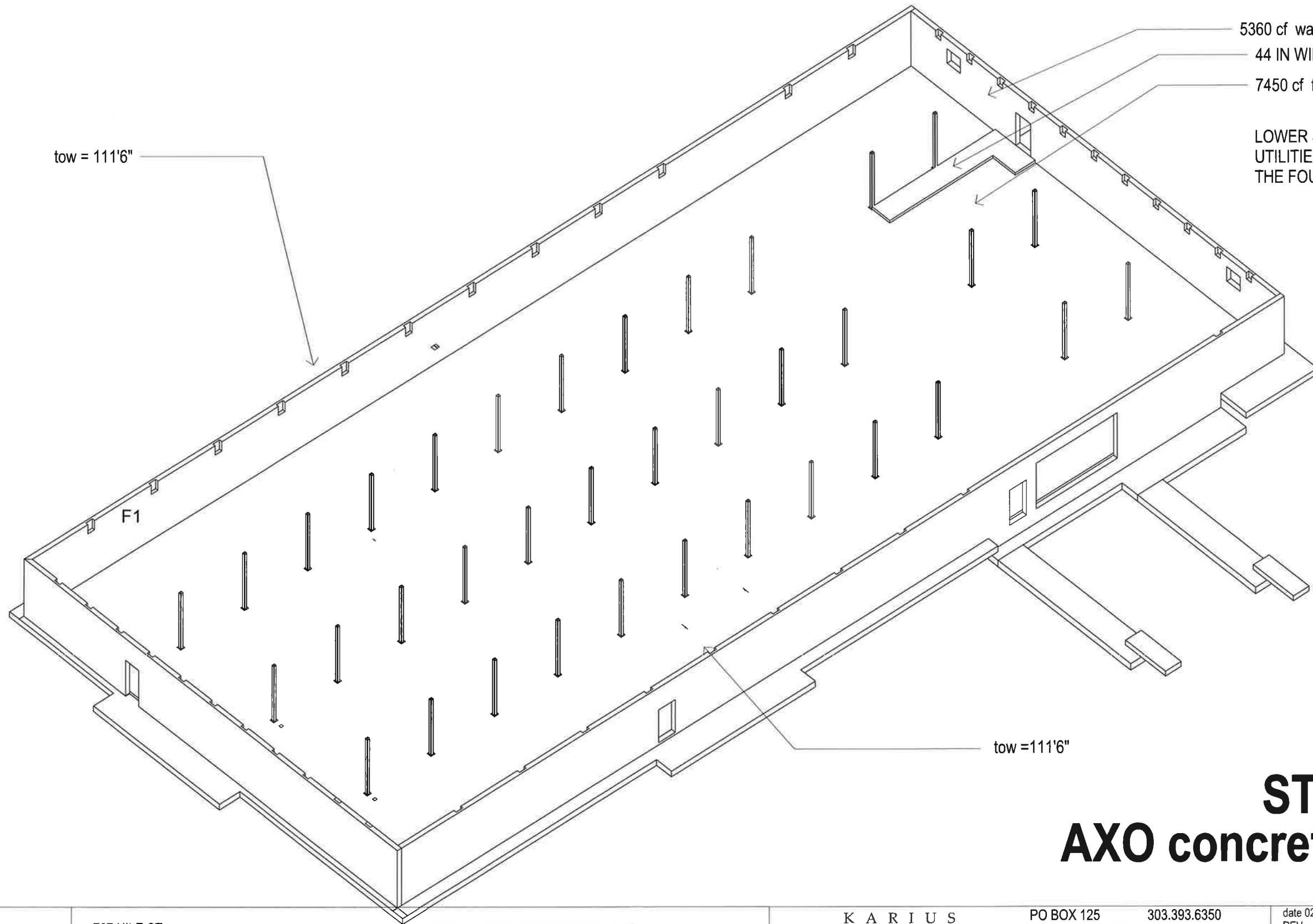
PO BOX 125 303.393.6350
DENVER CO 80201 pk@karius.com

date 02-20-2017
REV xxx

s2.04

(C) COPYRIGHT 2019

(c) COPYRIGHT 2019 KARIUSARCHITECTURE LLC. THESE DRAWINGS ARE PROPERTY OF THE ARCHITECT AND ARE INSTRUMENTS OF SERVICE. THEY CAN NOT BE COPIED OR REPRODUCED IN ANY MANNER WITHOUT WRITTEN CONSENT OF THE ARCHITECT.



- 5360 cf wall
- 44 IN WIDE RAISED SLAB 6 IN HI
- 7450 cf floor slab

LOWER SLAB AND BELOW SLAB UTILITIES ARE NOT PART OF THE FOUNDATION PERMIT SET



VERIFY
COMPUTER
ESTIMATES OF
QUANTITIES



Monroe & Newell
Engineers, Inc.
STRUCTURAL ENGINEERS
1400 GLENARM ST - 101
DENVER CO 80202 303.623.4927

STRUCTURAL AXO concrete wall PLAN

SCALE 1"=16'

767 NILE ST
GOLDEN CO JEFFERSON COUNTY

H MANUFACTURING CO

KARIUS
ARCHITECTURE
LLC

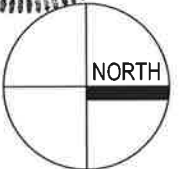
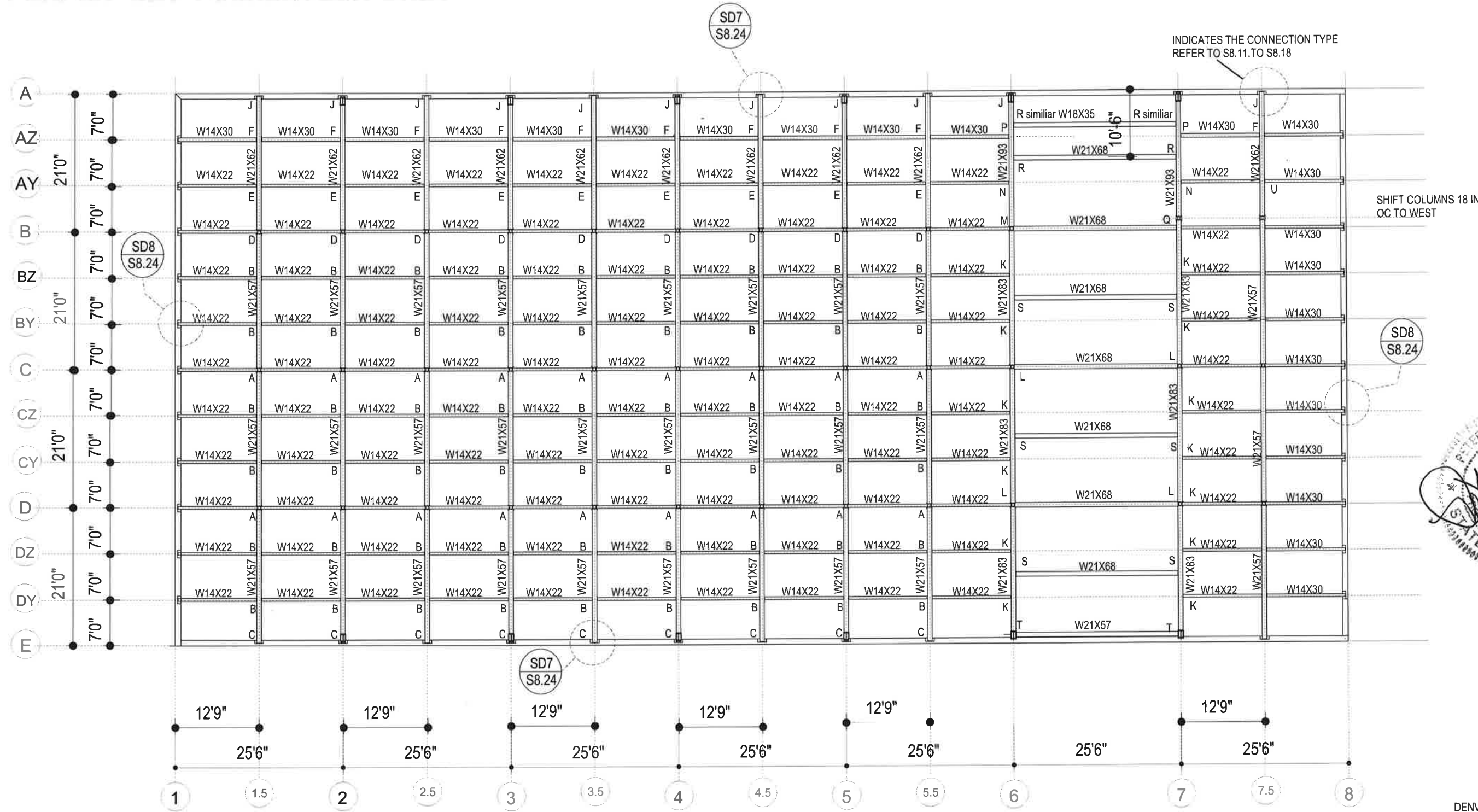
PO BOX 125 303.393.6350
DENVER CO 80201 pk@karius.com

date 02-20-2017
REV xxx

(C) COPYRIGHT 2019

\$2.05

(C) COPYRIGHT KARIUSARCHITECTURE LLC. THESE DRAWINGS ARE PROPERTY OF THE ARCHITECT AND ARE INSTRUMENTS OF SERVICE. THEY CAN NOT BE COPIED OR REPRODUCED IN ANY MANNER WITHOUT WRITTEN CONSENT OF THE ARCHITECT.



Monroe & Newell
 ENGINEERS, P.C.
 STRUCTURAL ENGINEERS
 1400 GLENARM ST - 101
 DENVER CO 80202 303.623.4927

STRUCTURAL -- UPPER FLOOR LEVEL STEEL FRAMING PLAN

SCALE 1"=16'

767 NILE ST
GOLDEN CO JEFFERSON COUNTY

H MANUFACTURING CO

KARIUS
ARCHITECTURE
LLC

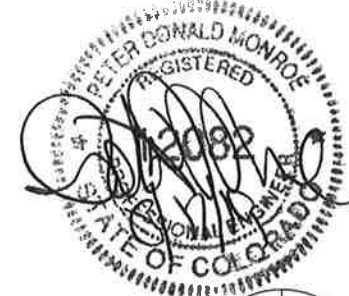
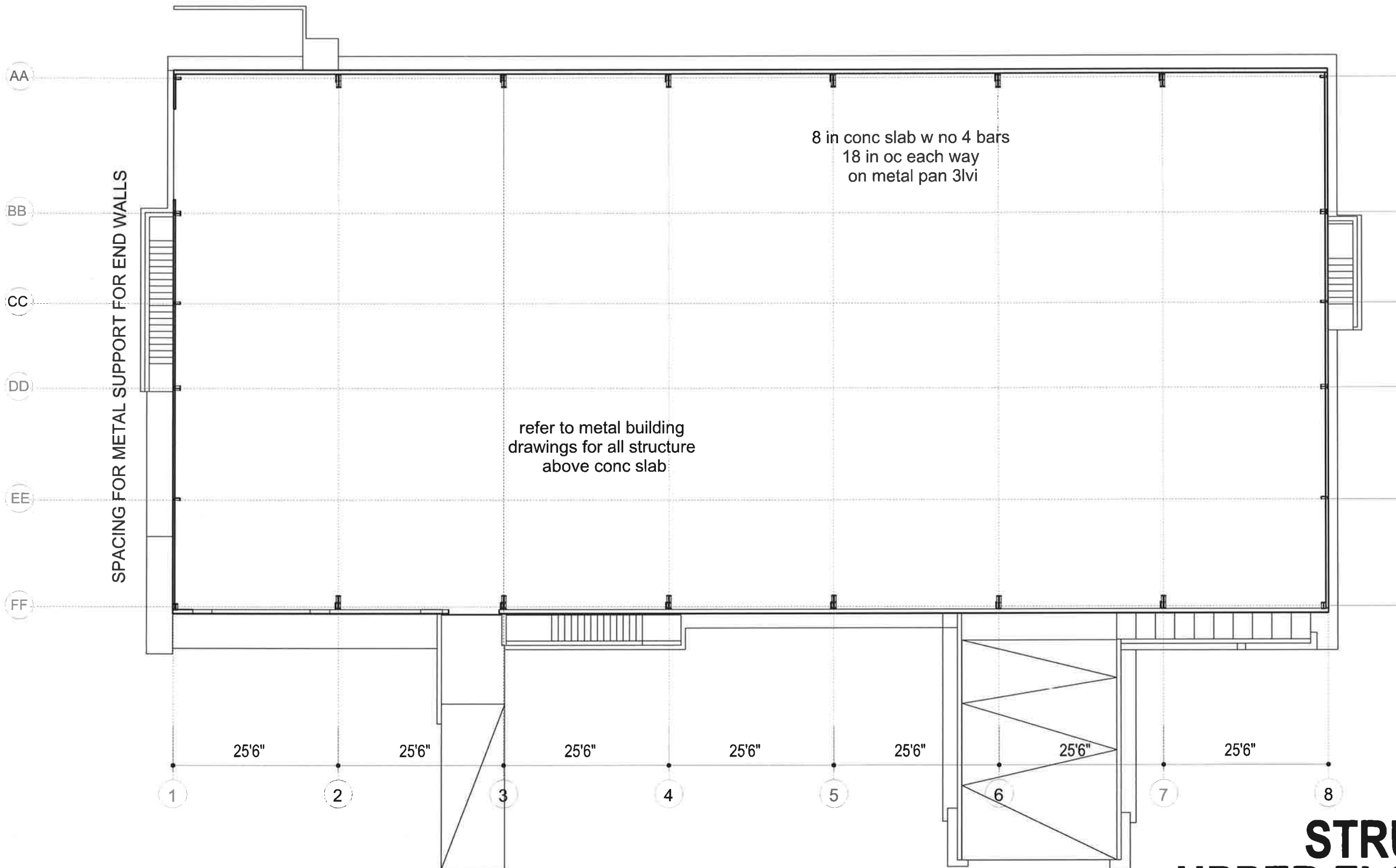
PO BOX 125 303.393.6350
DENVER CO 80201 pk@karius.com

date 02-20-2017
REV xxx

S2.06

(C) COPYRIGHT 2019

(C) COPYRIGHT 2019 KARIUSARCHITECTURE LLC. THESE DRAWINGS ARE PROPERTY OF THE ARCHITECT AND ARE INSTRUMENTS OF SERVICE. THEY CAN NOT BE COPIED OR REPRODUCED IN ANY MANNER WITHOUT WRITTEN CONSENT OF THE ARCHITECT.



Monroe & Newell
 ENGINEERS, INC.
 STRUCTURAL ENGINEERS
 1400 GLENARM ST - 101
 DENVER CO 80202 303.623.4927

STRUCTURAL UPPER FLOOR PLAN

SCALE 1"=16'

767 NILE ST
GOLDEN CO JEFFERSON COUNTY

H MANUFACTURING CO

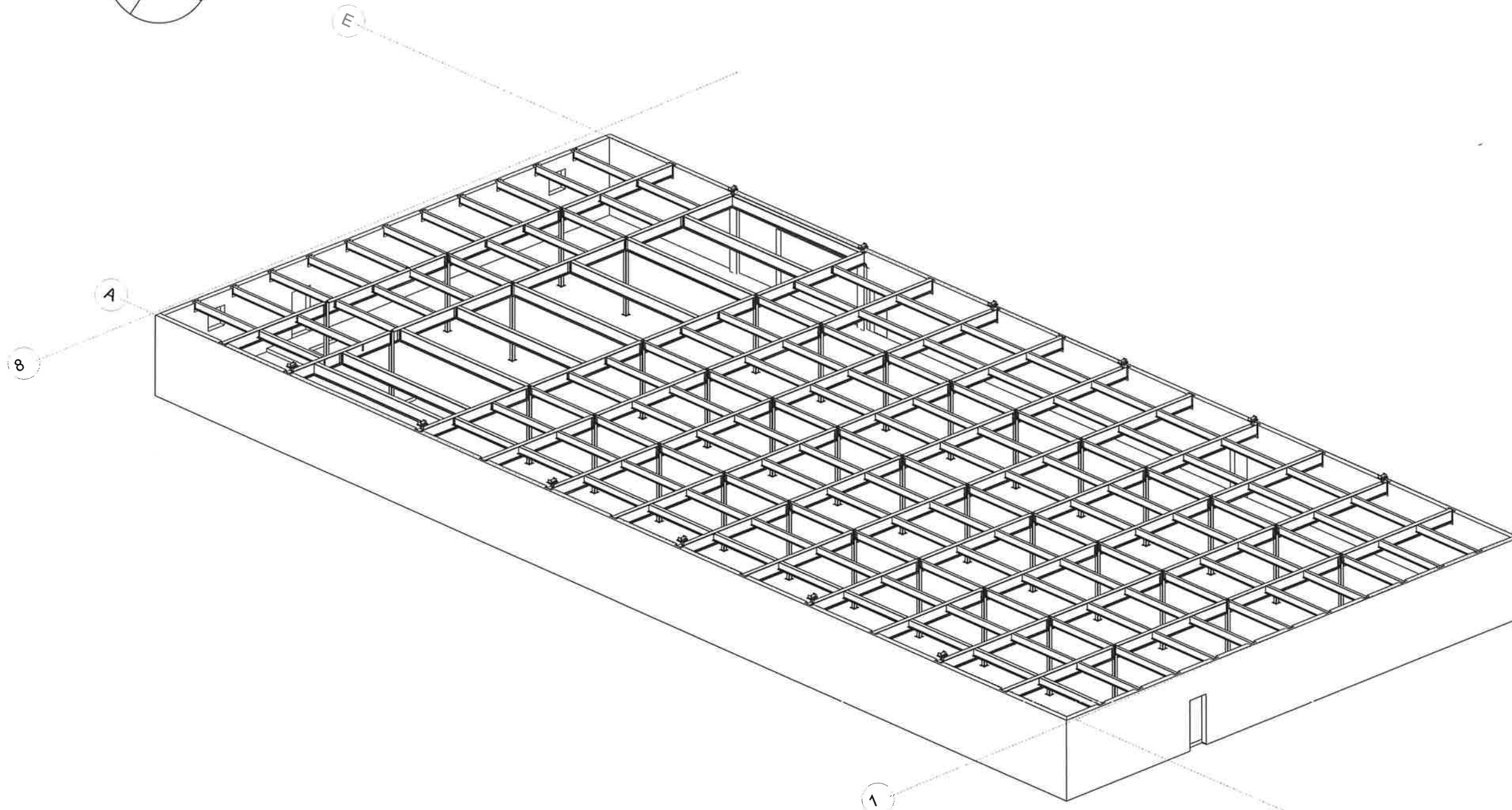
KARIUS
 ARCHITECTURE
 LLC

PO BOX 125 303.393.6350
 DENVER CO 80201 pk@karius.com

date 02-20-2017
 REV xxx

(C) COPYRIGHT 2019

\$2.07



Monroe & Newell
Engineers, Inc.
STRUCTURAL ENGINEERS
1400 GLENARM ST - 101
DENVER CO 80202 303.623.4927

STRUCTURAL -- UPPER FLOOR LEVEL AXO - STEEL FRAMING PLAN

SCALE 1'=16'

© COPYRIGHT 2019 KARIUSARCHITECTURE LLC. THESE DRAWINGS ARE PROPERTY OF THE ARCHITECT AND ARE INSTRUMENTS OF SERVICE. THEY CAN NOT BE COPIED OR REPRODUCED IN ANY MANNER WITHOUT WRITTEN CONSENT OF THE ARCHITECT.

767 NILE ST
GOLDEN CO JEFFERSON COUNTY

H MANUFACTURING CO

KARIUS
ARCHITECTURE
LLC

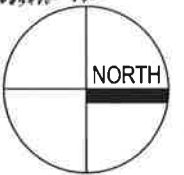
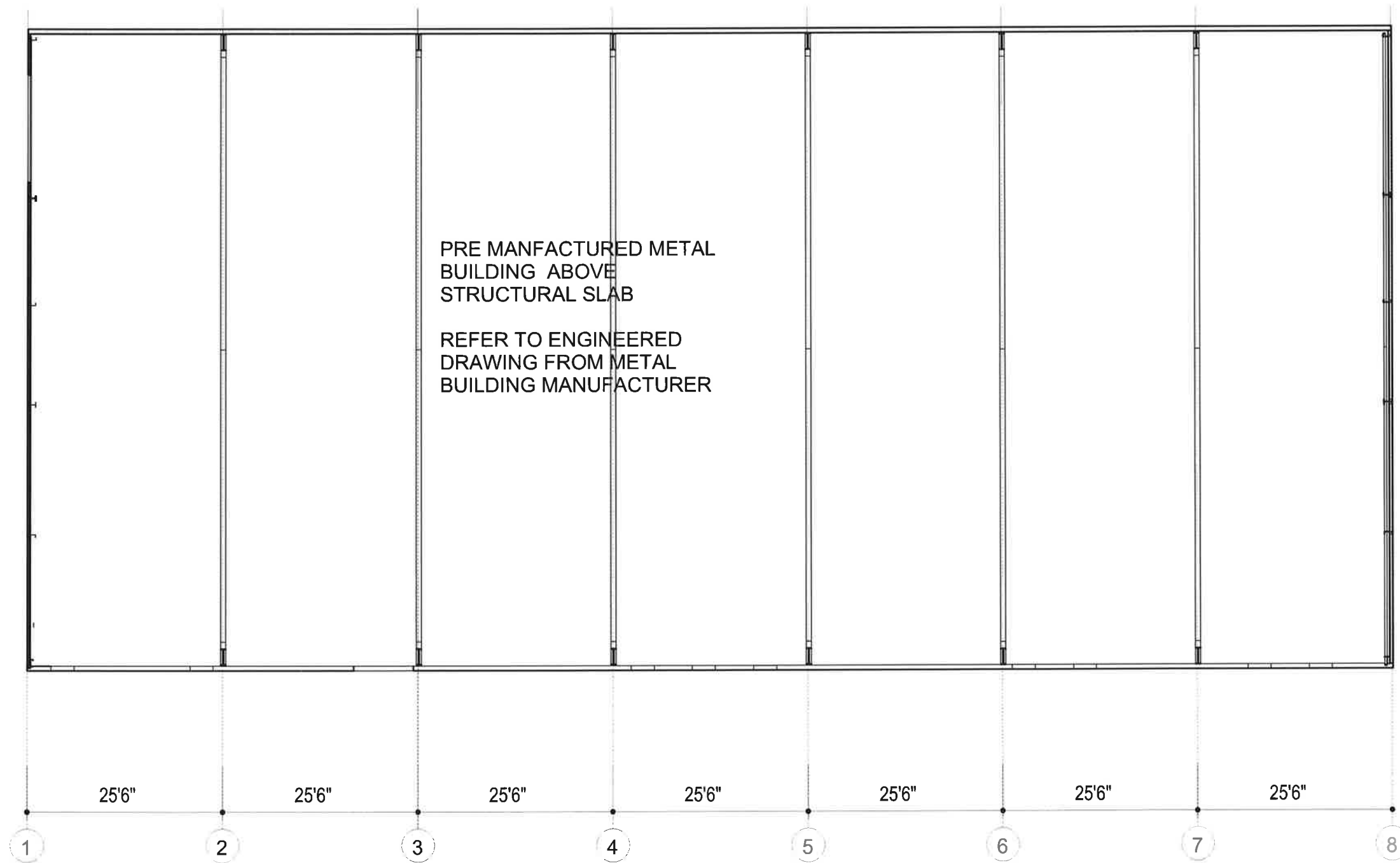
PO BOX 125 303.393.6350
DENVER CO 80201 pk@karius.com

date 02-20-2017
REV xxx

(C) COPYRIGHT 2019

\$2.08

© COPYRIGHT KARIUS ARCHITECTURE LLC. THESE DRAWINGS ARE PROPERTY OF THE ARCHITECT AND ARE INSTRUMENTS OF SERVICE. THEY CAN NOT BE COPIED OR REPRODUCED IN ANY MANNER WITHOUT WRITTEN CONSENT OF THE ARCHITECT.



Monroe & Newell
 Structural Engineers
 1400 GLENARM ST - 101
 DENVER CO 80202 303.623.4927

STRUCTURAL -- UPPER LEVEL REFLECTED CEILING PLAN

SCALE 1"=16'

767 NILE ST
 GOLDEN CO JEFFERSON COUNTY

H MANUFACTURING CO

KARIUS
 ARCHITECTURE
 LLC

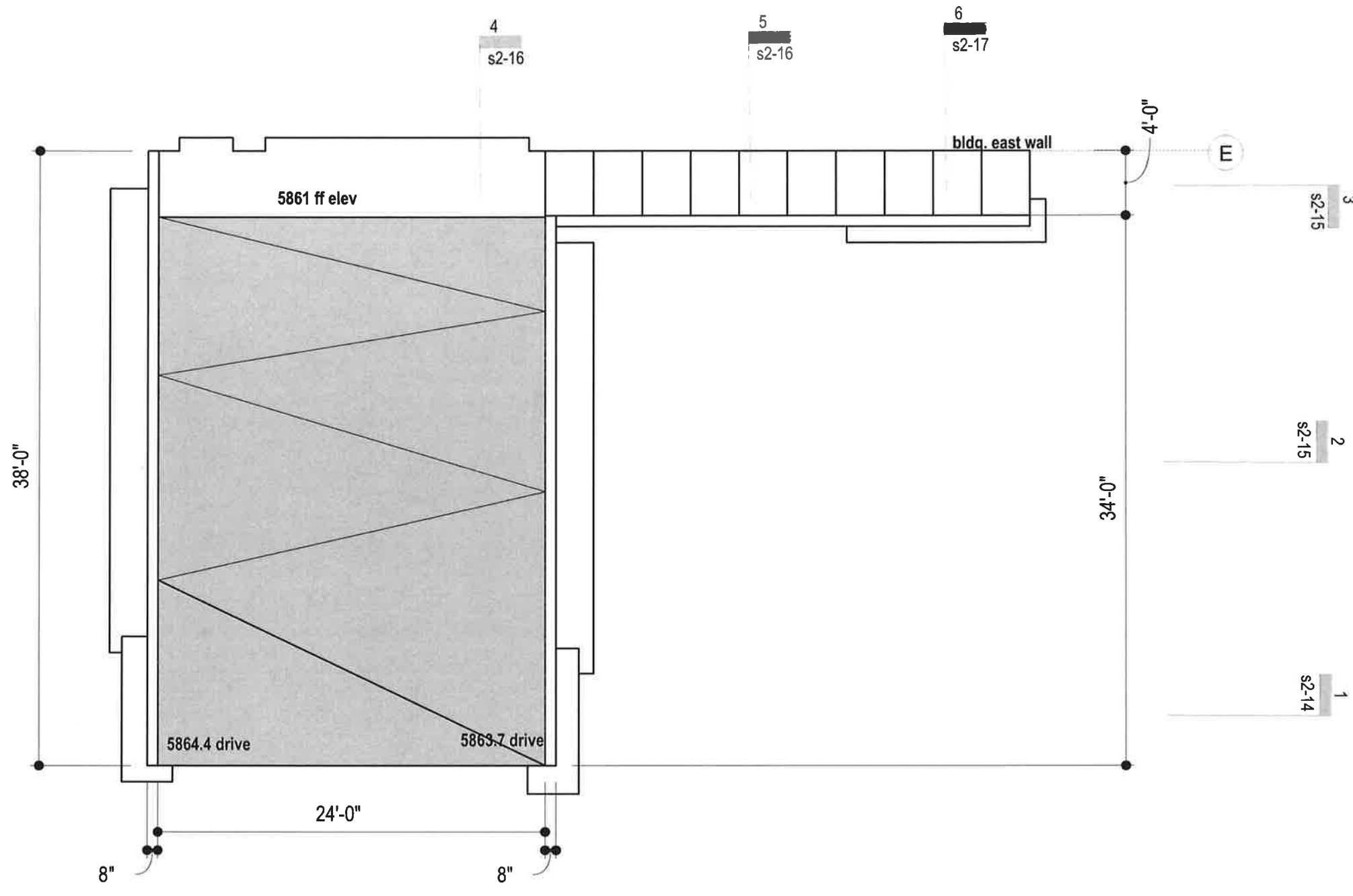
PO BOX 125 303.393.6350
 DENVER CO 80201 pk@karius.com

date 02-20-2017
 REV xxx

S2.09

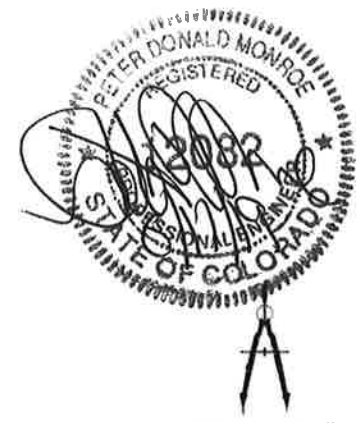
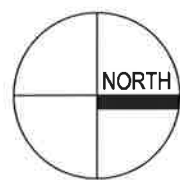
(C) COPYRIGHT 2019

(c) COPYRIGHT KARIUSARCHITECTURE LLC. THESE DRAWINGS ARE PROPERTY OF THE ARCHITECT AND ARE INSTRUMENTS OF SERVICE. THEY CAN NOT BE COPIED OR REPRODUCED IN ANY MANNER WITHOUT WRITTEN CONSENT OF THE ARCHITECT.



plan view

SCALE 1/8" = 1'0"



Monroe & Newell
 ENGINEERS
 STRUCTURAL ENGINEERS
 1400 GLENARM ST - 101
 DENVER CO 80202 303.623.4927

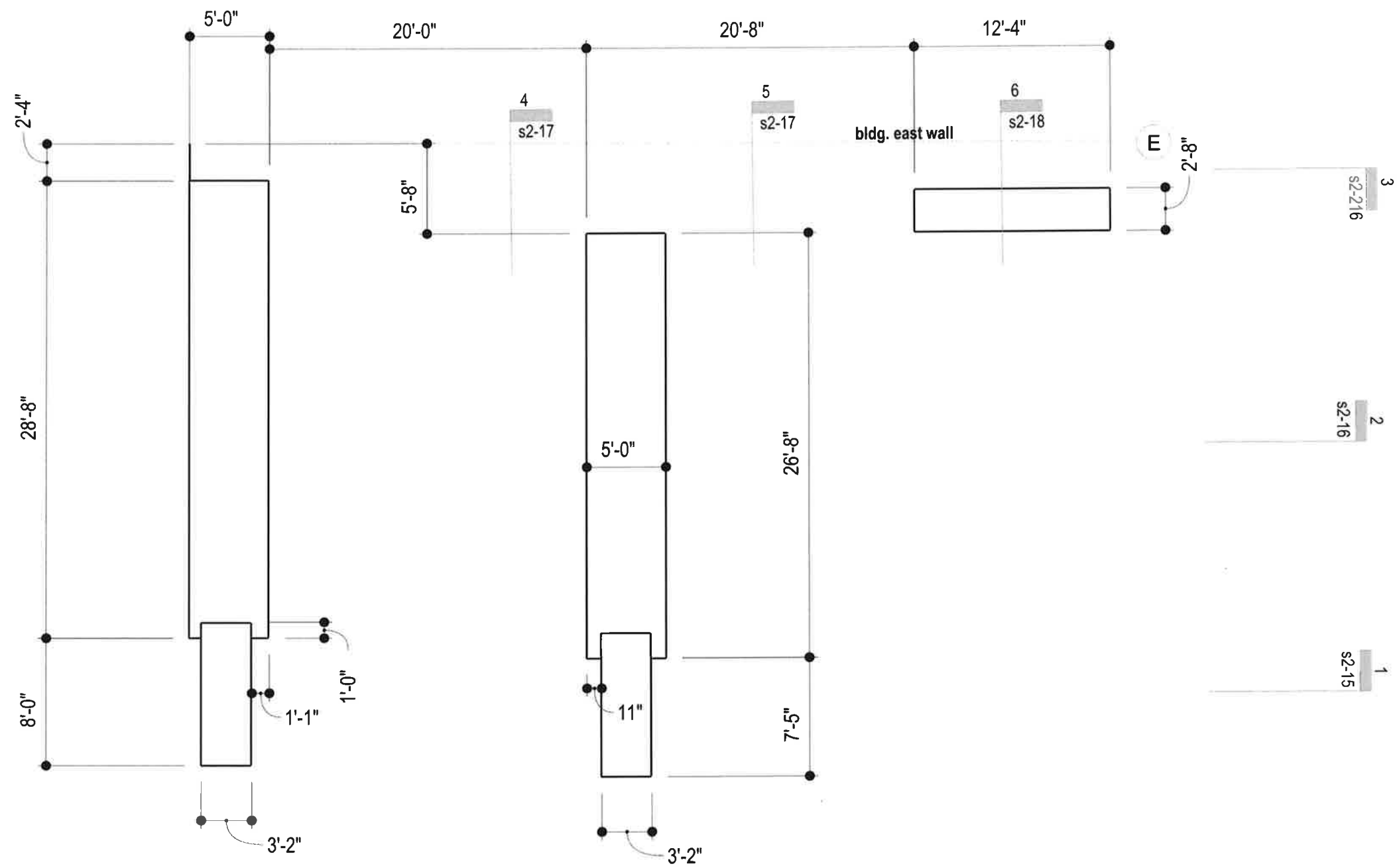
STRUCTURAL driveway ramp retaining walls

PERMIT SET FOUNDATION ONLY 16 JUN 2019

767 NILE ST GOLDEN CO JEFFERSON COUNTY	H MANUFACTURING CO	KARIUS ARCHITECTURE LLC	PO BOX 125 DENVER CO 80201 303.393.6350 pk@karius.com	date 02-20-2017 REV xxx	S2-11
---	---------------------------	-------------------------------	--	----------------------------	--------------

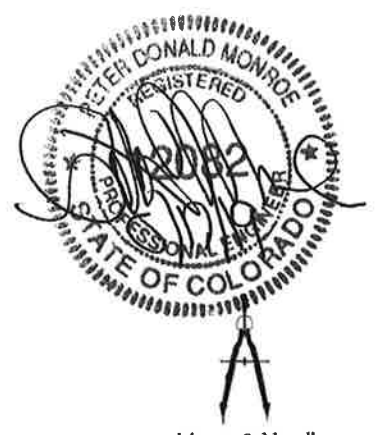
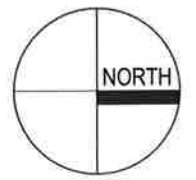
(C) COPYRIGHT 2019

(C) COPYRIGHT KARIUSARCHITECTURE LLC. THESE DRAWINGS ARE PROPERTY OF THE ARCHITECT AND ARE INSTRUMENTS OF SERVICE. THEY CAN NOT BE COPIED OR REPRODUCED IN ANY MANNER WITHOUT WRITTEN CONSENT OF THE ARCHITECT.



plan view -- footings

SCALE 1/8" = 1'0"



Monroe & Newell
Engineers, Inc.

STRUCTURAL ENGINEERS
1400 GLENARM ST - 101
DENVER CO 80202 303.623.4927

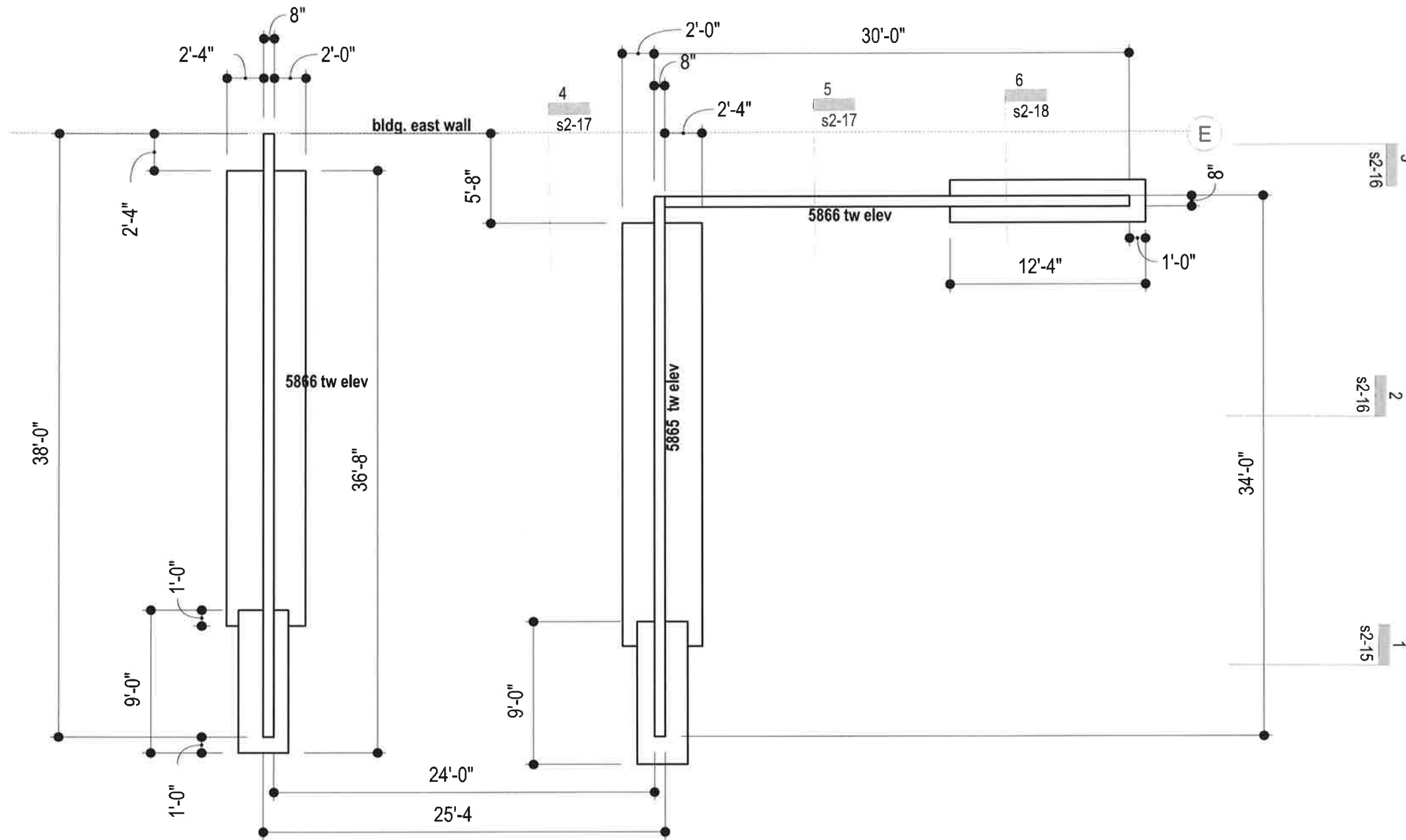
PERMIT SET FOUNDATION ONLY 16 JUN 2019

STRUCTURAL driveway ramp FOOTINGS

	767 NILE ST GOLDEN CO JEFFERSON COUNTY	H MANUFACTURING CO	KARIUS ARCHITECTURE LLC	PO BOX 125 303.393.6350 DENVER CO 80201 pk@karius.com	date 02-20-2017 REV xxx	S2-12
--	---	--------------------	-------------------------------	--	----------------------------	-------

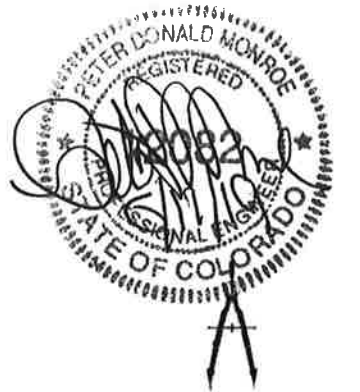
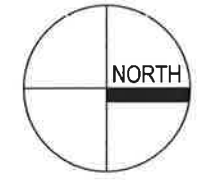
(C) COPYRIGHT 2019

(C) COPYRIGHT KARIUSARCHITECTURE LLC. THESE DRAWINGS ARE PROPERTY OF THE ARCHITECT AND ARE INSTRUMENTS OF SERVICE. THEY CAN NOT BE COPIED OR REPRODUCED IN ANY MANNER WITHOUT WRITTEN CONSENT OF THE ARCHITECT.



plan view -- wall and footings

SCALE 1/8" = 1'0"



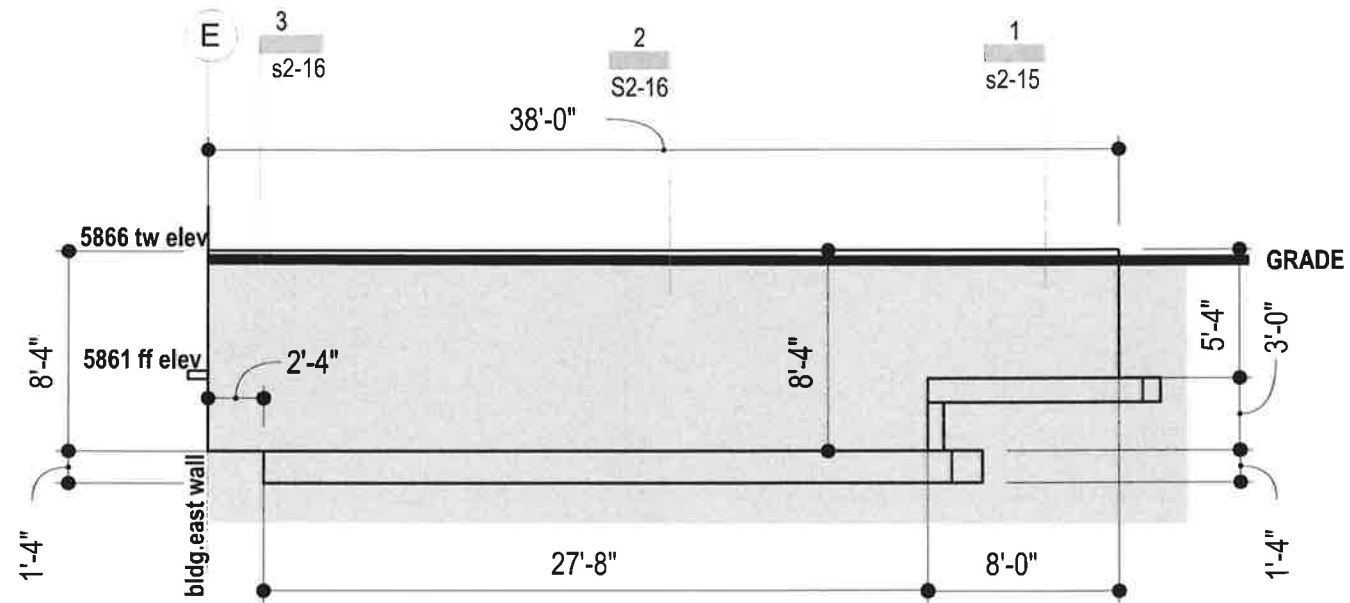
Monroe & Newell
 ENGINEERS
 STRUCTURAL ENGINEERS
 1400 GLENARM ST - 101
 DENVER CO 80202 303.623.4927

STRUCTURAL driveway ramp retaining walls

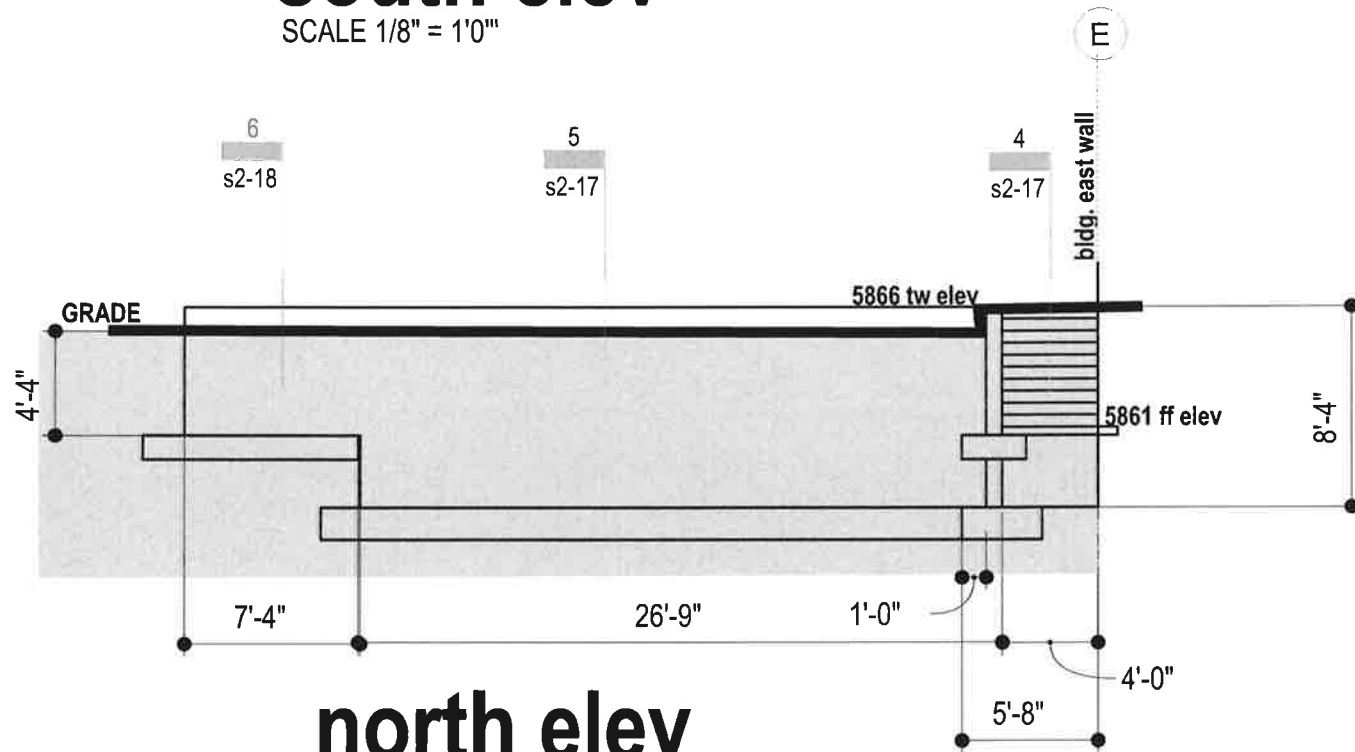
PERMIT SET FOUNDATION ONLY 16 JUN 2019

767 NILE ST GOLDEN CO JEFFERSON COUNTY	H MANUFACTURING CO	KARIUS ARCHITECTURE LLC	PO BOX 125 DENVER CO 80201 303.393.6350 pk@karius.com	date 02-20-2017 REV xxx (C) COPYRIGHT 2019	<h2>S2-13</h2>
---	---------------------------	-------------------------------	--	--	----------------

© COPYRIGHT KARIUSARCHITECTURE LLC. THESE DRAWINGS ARE PROPERTY OF THE ARCHITECT AND ARE INSTRUMENTS OF SERVICE. THEY CAN NOT BE COPIED OR REPRODUCED IN ANY MANNER WITHOUT WRITTEN CONSENT OF THE ARCHITECT.



south elev
SCALE 1/8" = 1'0"



north elev
SCALE 1/8" = 1'0"

driveway ramp retaining walls



Monroe & Newell
 ENGINEERS, P.C.
 STRUCTURAL ENGINEERS
 1400 GLENARM ST - 101
 DENVER CO 80202 303.623.4927

STRUCTURAL driveway ramp retaining walls

PERMIT SET FOUNDATION ONLY 16 JUN 2019

767 NILES ST
GOLDEN CO JEFFERSON COUNTY

H MANUFACTURING CO

KARIUS
ARCHITECTURE
LLC

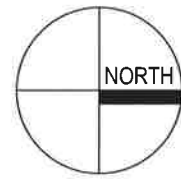
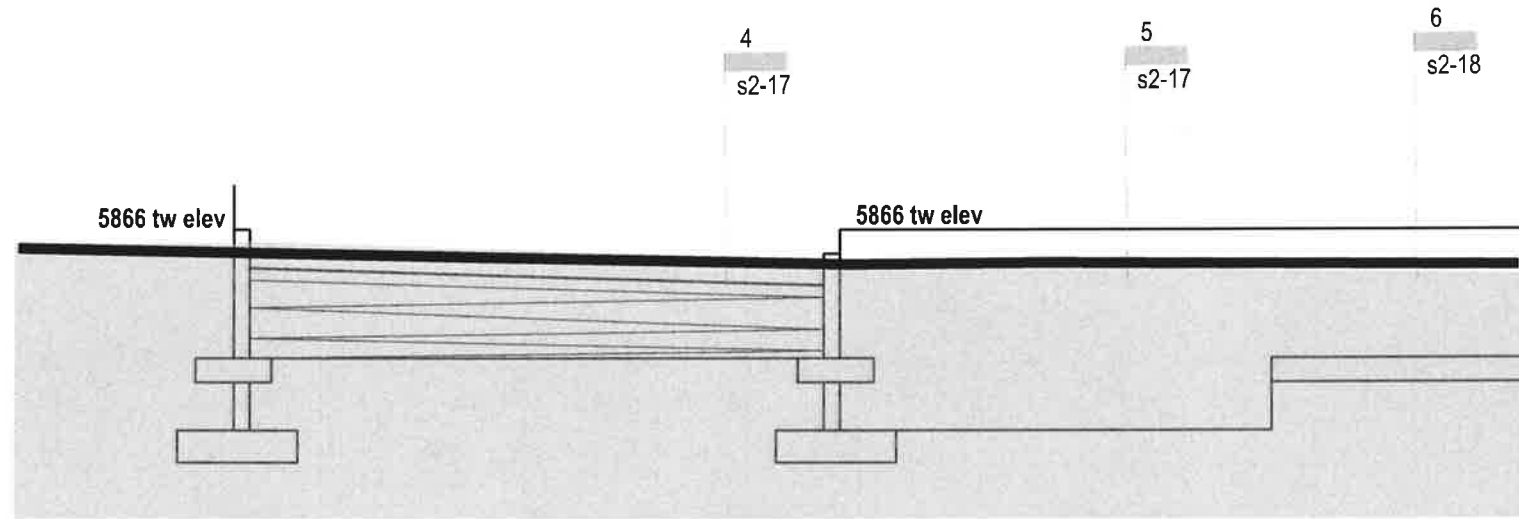
PO BOX 125 303.393.6350
DENVER CO 80201 pk@karius.com

date 02-20-2017
REV xxx

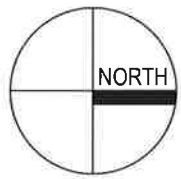
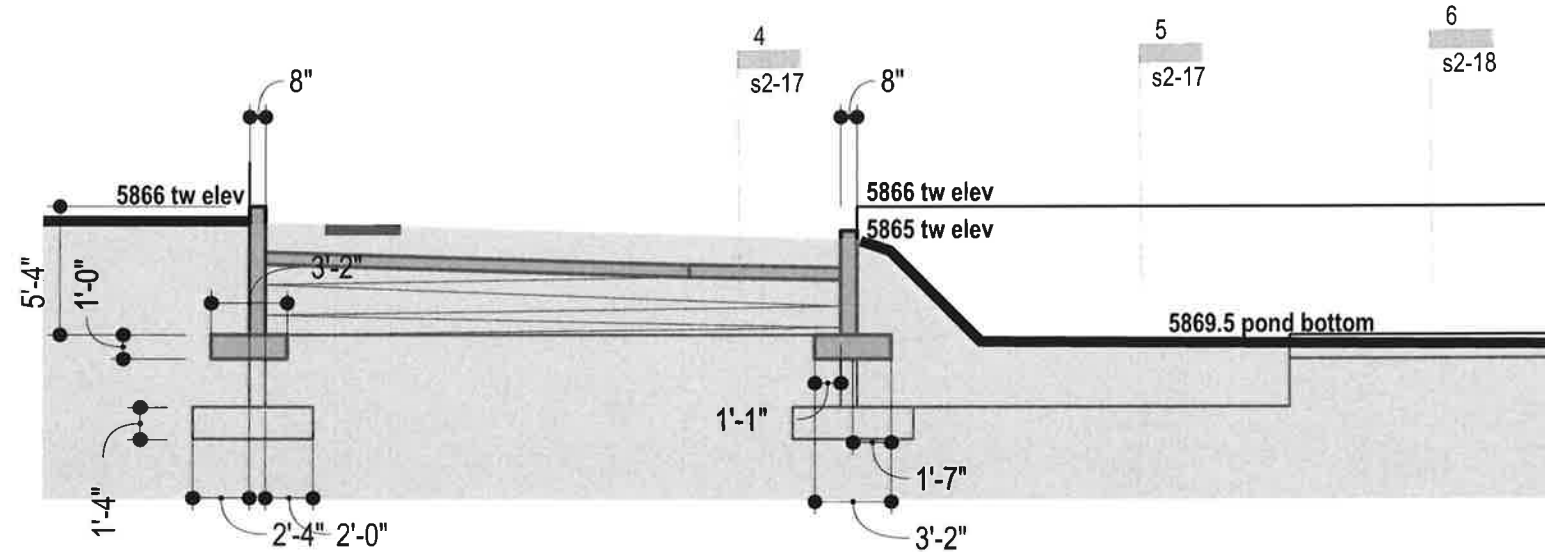
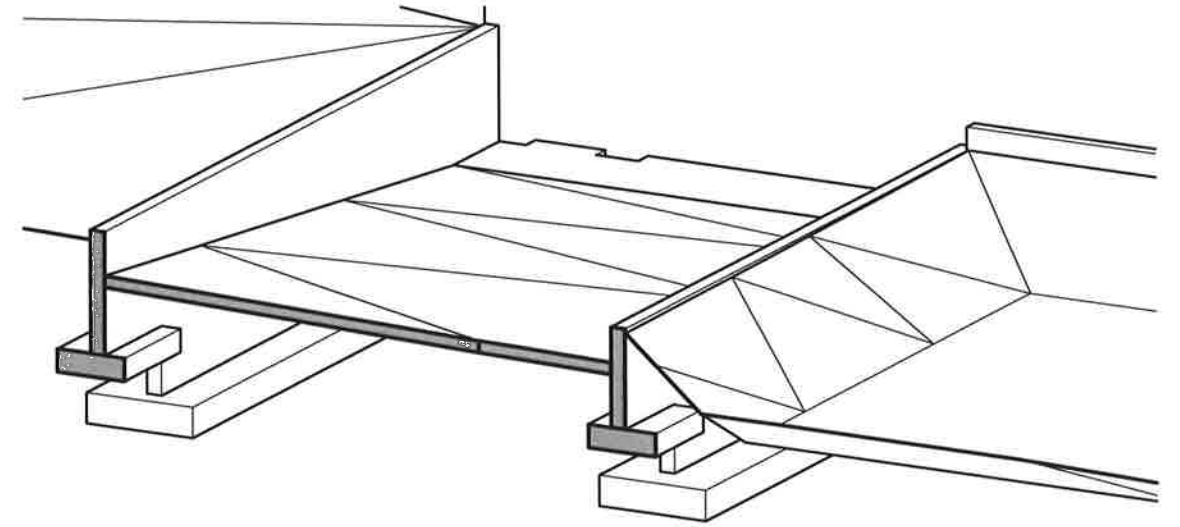
S2-14

(C) COPYRIGHT 2019

© COPYRIGHT KARIUSARCHITECTURE LLC. THESE DRAWINGS ARE PROPERTY OF THE ARCHITECT AND ARE INSTRUMENTS OF SERVICE. THEY CAN NOT BE COPIED OR REPRODUCED IN ANY MANNER WITHOUT WRITTEN CONSENT OF THE ARCHITECT.



east elev
SCALE 1/8" = 1'0"



section 1
SCALE 1/8" = 1'0"



Monroe & Newell
Engineers, Inc.

STRUCTURAL ENGINEERS
1400 GLENARM ST - 101
DENVER CO 80202 303.623.4927

STRUCTURAL driveway ramp retaining walls

PERMIT SET FOUNDATION ONLY 16 JUN 2019

767 NILES ST
GOLDEN CO JEFFERSON COUNTY

H MANUFACTURING CO

KARIUS
ARCHITECTURE
LLC

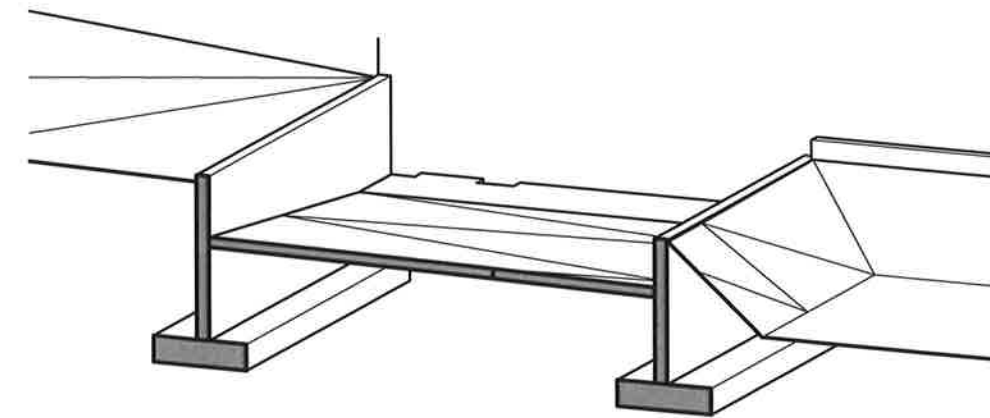
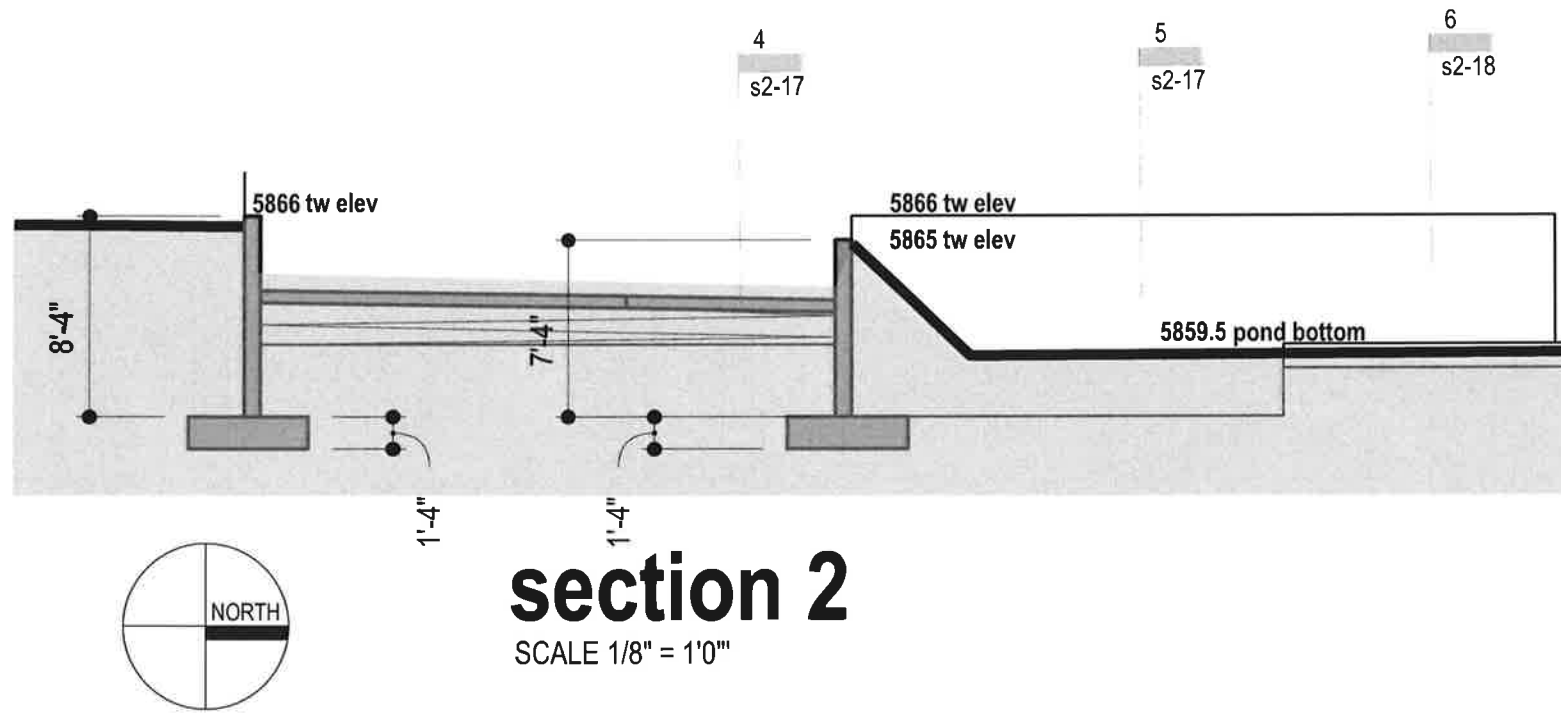
PO BOX 125 303.393.6350
DENVER CO 80201 pk@karius.com

date 02-20-2017
REV xxx

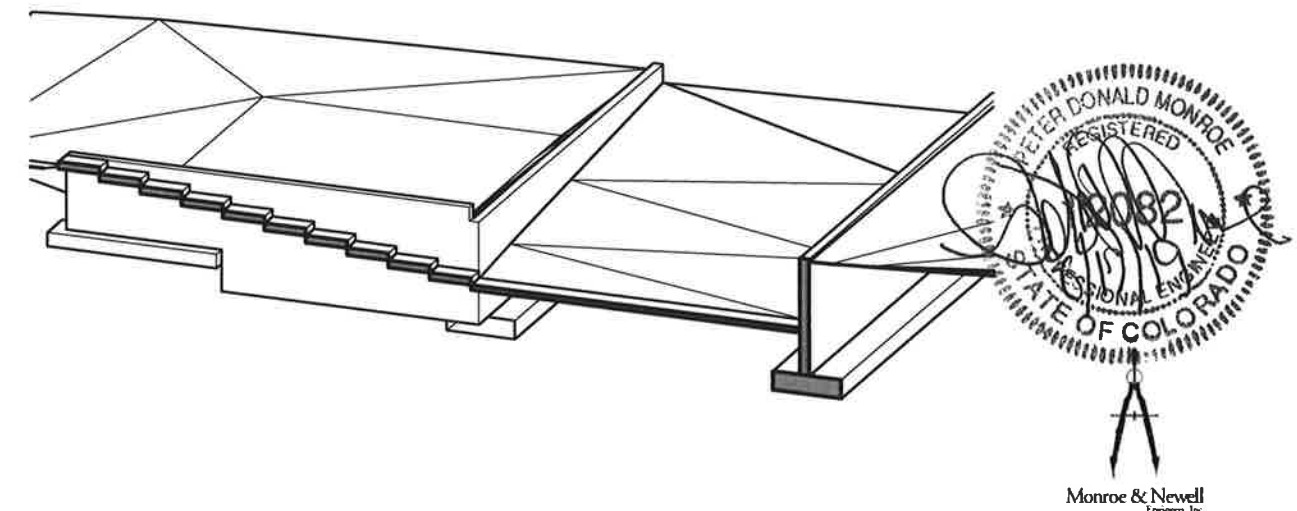
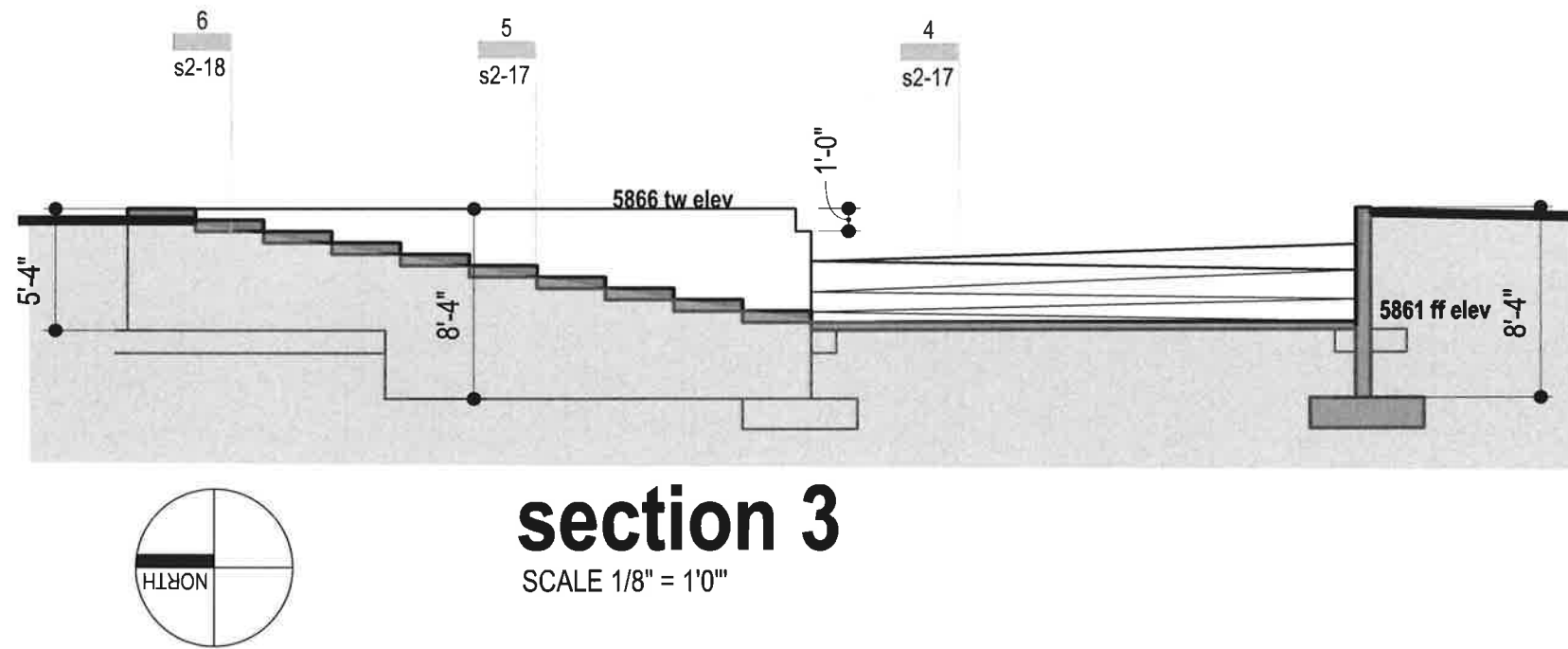
(C) COPYRIGHT 2019

S2-15


(c) COPYRIGHT KARIUSARCHITECTURE LLC. THESE DRAWINGS ARE PROPERTY OF THE ARCHITECT AND ARE INSTRUMENTS OF SERVICE. THEY CAN NOT BE COPIED OR REPRODUCED IN ANY MANNER WITHOUT WRITTEN CONSENT OF THE ARCHITECT.



section 2
SCALE 1/8" = 1'0"



section 3
SCALE 1/8" = 1'0"

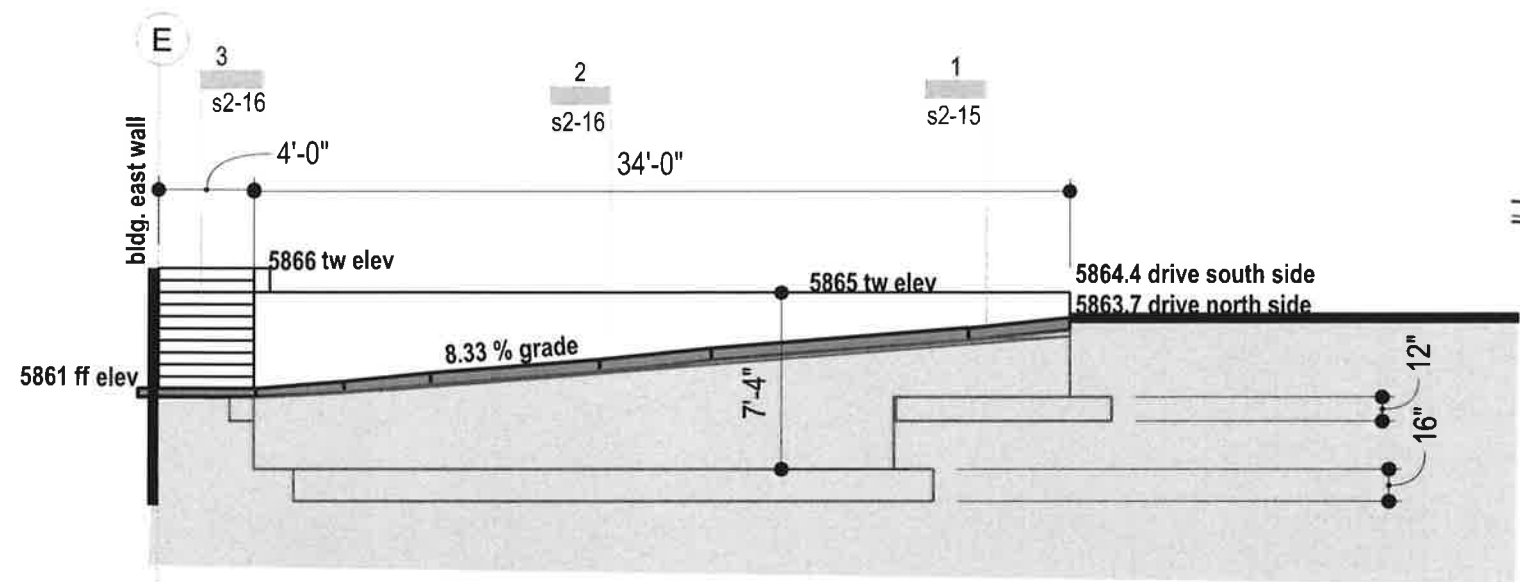

 Peter Donald Monroe
 REGISTERED PROFESSIONAL ENGINEER
 STATE OF COLORADO
 License No. 00082
 Monroe & Newell
 Engineers, Inc.
 STRUCTURAL ENGINEERS
 1400 GLENARM ST - 101
 DENVER CO 80202 303.623.4927

STRUCTURAL driveway ramp retaining walls

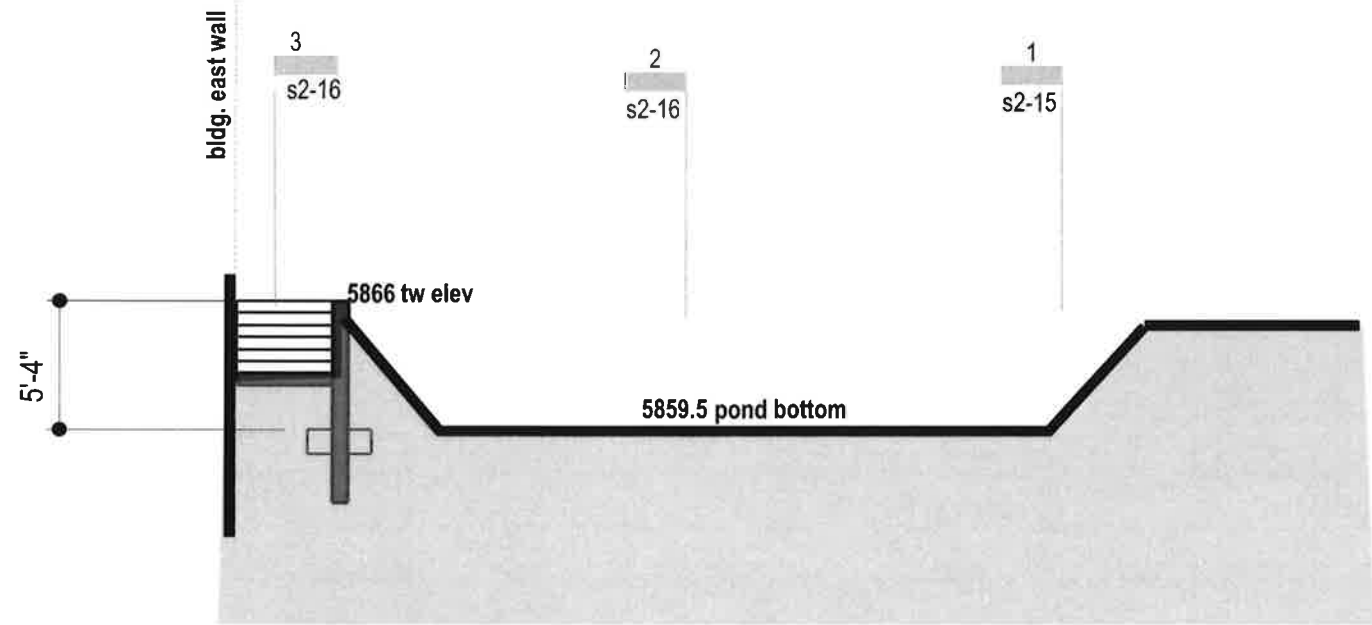
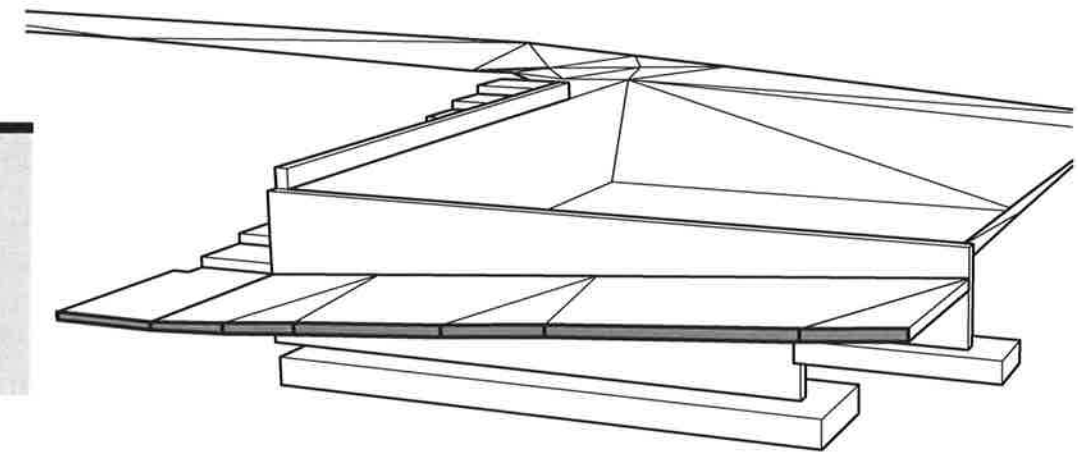
PERMIT SET FOUNDATION ONLY 16 JUN 2019

	767 NILES ST GOLDEN CO JEFFERSON COUNTY	H MANUFACTURING CO	KARIUS ARCHITECTURE LLC	PO BOX 125 DENVER CO 80201 303.393.6350 pk@karius.com	date 02-20-2017 REV xxx	S2-16 <small>(C) COPYRIGHT 2019</small>
--	--	---------------------------	-------------------------------	--	----------------------------	---

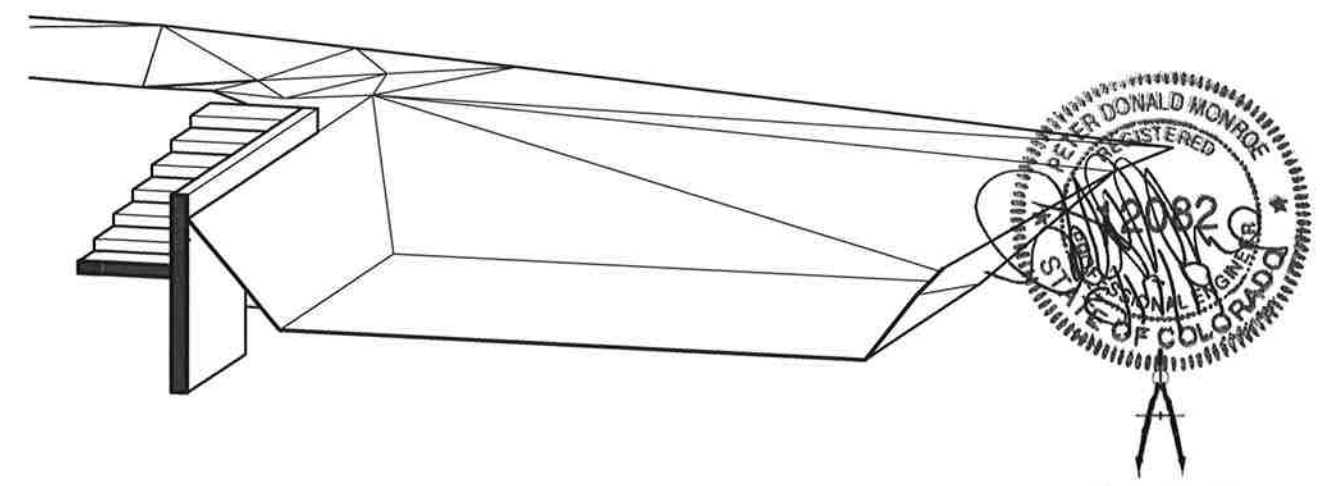
(c) COPYRIGHT KARIUSARCHITECTURE LLC. THESE DRAWINGS ARE PROPERTY OF THE ARCHITECT AND ARE INSTRUMENTS OF SERVICE. THEY CAN NOT BE COPIED OR REPRODUCED IN ANY MANNER WITHOUT WRITTEN CONSENT OF THE ARCHITECT.



section 4
SCALE 1/8" = 1'0"



section 5
SCALE 1/8" = 1'0"



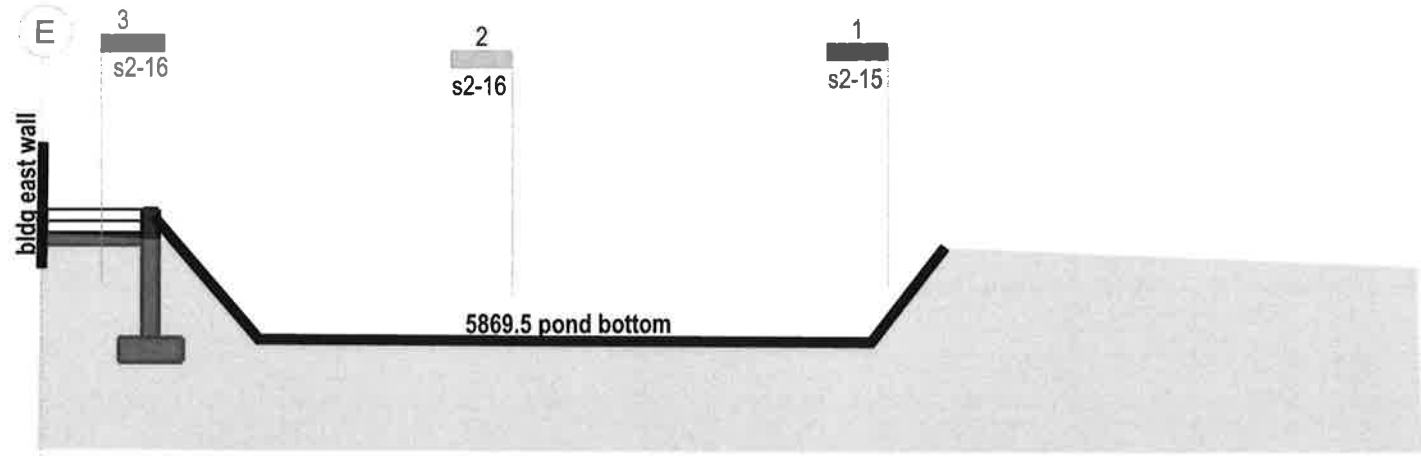
Monroe & Newell
 ENGINEERS
 STRUCTURAL ENGINEERS
 1400 GLENARM ST - 101
 DENVER CO 80202 303.623.4927

STRUCTURAL driveway ramp retaining walls

PERMIT SET FOUNDATION ONLY 16 JUN 2019

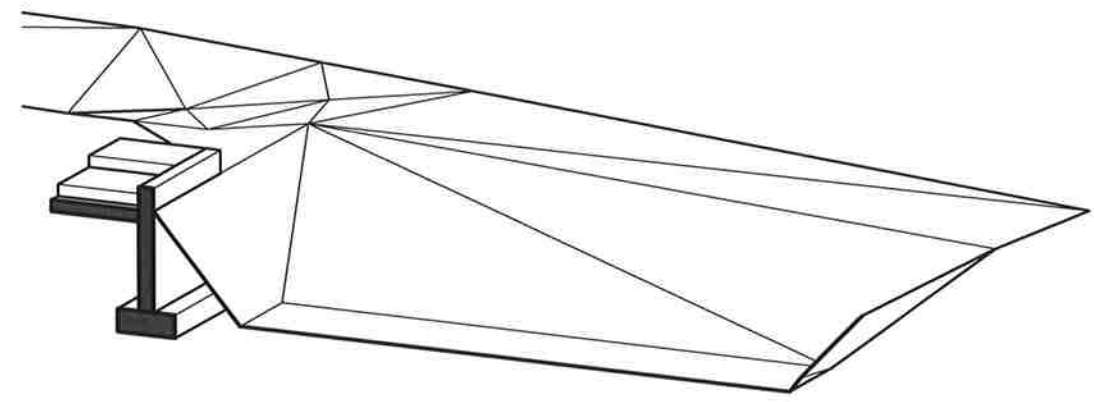
767 NILE ST GOLDEN CO JEFFERSON COUNTY	H MANUFACTURING CO	KARIUS ARCHITECTURE LLC	PO BOX 125 303.393.6350 DENVER CO 80201 pk@karius.com	date 02-20-2017 REV xxx	S2-17 <small>(C) COPYRIGHT 2019</small>
---	---------------------------	-------------------------------	--	----------------------------	---

(C) COPYRIGHT KARIUSARCHITECTURE LLC. THESE DRAWINGS ARE PROPERTY OF THE ARCHITECT AND ARE INSTRUMENTS OF SERVICE. THEY CAN NOT BE COPIED OR REPRODUCED IN ANY MANNER WITHOUT WRITTEN CONSENT OF THE ARCHITECT.



section 6

SCALE 1/8" = 1'0"



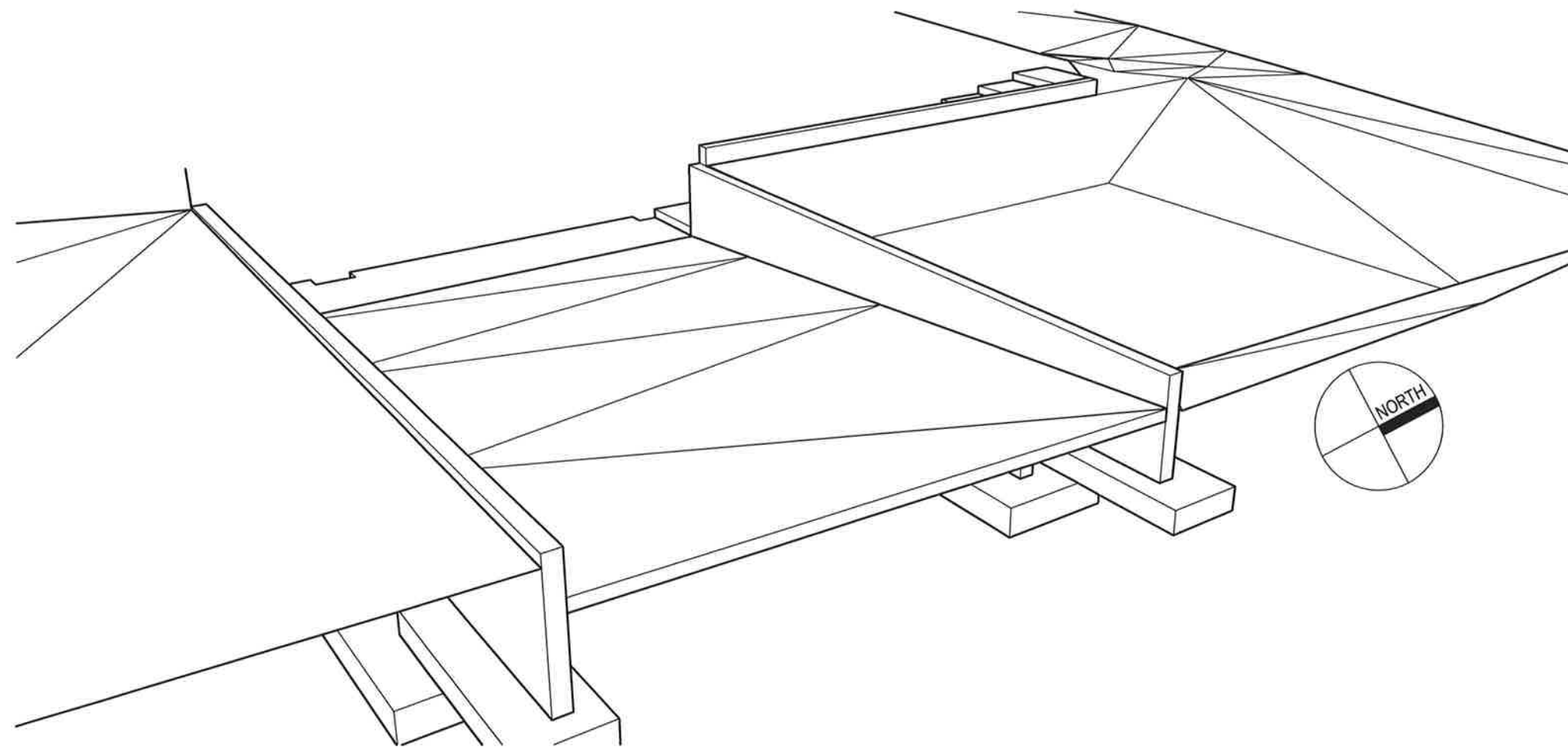
Monroe & Newell
Engineers, Inc.
STRUCTURAL ENGINEERS
1400 GLENARM ST - 101
DENVER CO 80202 303.623.4927

STRUCTURAL driveway ramp retaining walls

PERMIT SET FOUNDATION ONLY 16 JUN 2019

	767 NILES ST GOLDEN CO JEFFERSON COUNTY	H MANUFACTURING CO	KARIUS ARCHITECTURE LLC	PO BOX 125 DENVER CO 80201 303.393.6350 pk@karius.com	date 02-20-2017 REV xxx	S2-18 <small>(C) COPYRIGHT 2019</small>
--	--	---------------------------	-------------------------------	---	----------------------------	---

(c) COPYRIGHT 2018 KARIUSARCHITECTURE LLC. THESE DRAWINGS ARE PROPERTY OF THE ARCHITECT AND ARE INSTRUMENTS OF SERVICE. THEY CAN NOT BE COPIED OR REPRODUCED IN ANY MANNER WITHOUT WRITTEN CONSENT OF THE ARCHITECT.



perspective 1



Monroe & Newell
Engineers, Inc.

STRUCTURAL ENGINEERS
1400 GLENARM ST - 101
DENVER CO 80202 303.623.4927

STRUCTURAL driveway ramp retaining walls

PERMIT SET FOUNDATION ONLY 16 JUN 2019

767 NILES ST
GOLDEN CO JEFFERSON COUNTY

H MANUFACTURING CO

KARIUS
ARCHITECTURE
LLC

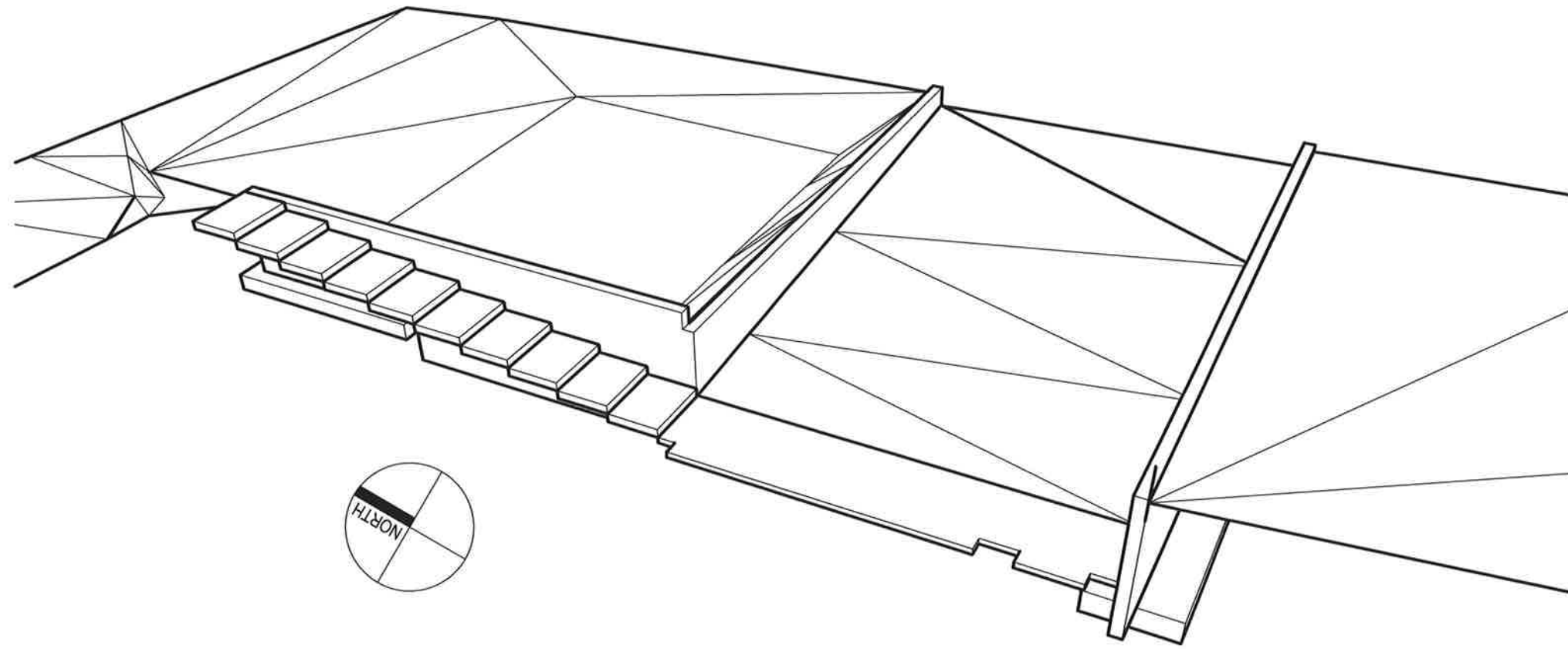
PO BOX 125 303.393.6350
DENVER CO 80201 pk@karius.com

date 16 JUN 2019
REV xxx

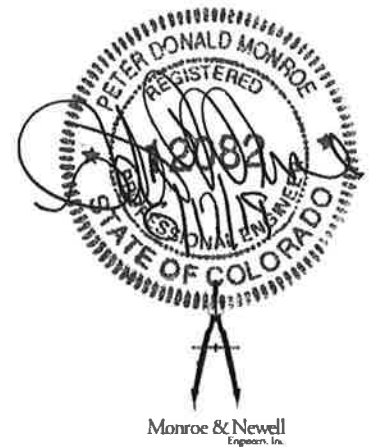
(C) COPYRIGHT 2019

S2-19

(C) COPYRIGHT 2018 KARIUSARCHITECTURE LLC . THESE DRAWINGS ARE PROPERTY OF THE ARCHITECT AND ARE INSTRUMENTS OF SERVICE. THEY CA NOT BE COPIED OR REPRODUCED IN ANY MANNER WITHOUT WRITTEN CONSENT OF THE ARCHITECT.



perspective 2



Monroe & Newell
Engineers, Inc.
STRUCTURAL ENGINEERS
1400 GLENARM ST - 101
DENVER CO 80202 303.623.4927

STRUCTURAL driveway ramp retaining walls

PERMIT SET FOUNDATION ONLY 16 JUN 2019

767 NILES ST
GOLDEN CO JEFFERSON COUNTY

H MANUFACTURING CO

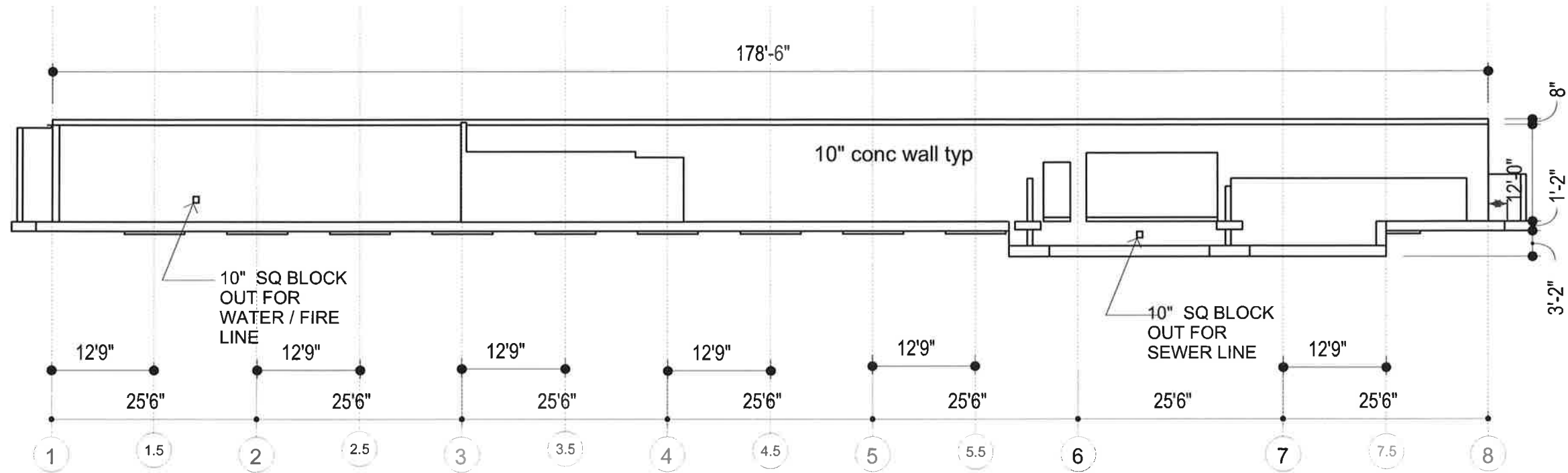
KARIUS
ARCHITECTURE
LLC

PO BOX 125 303.393.6350
DENVER CO 80201 pk@karius.com

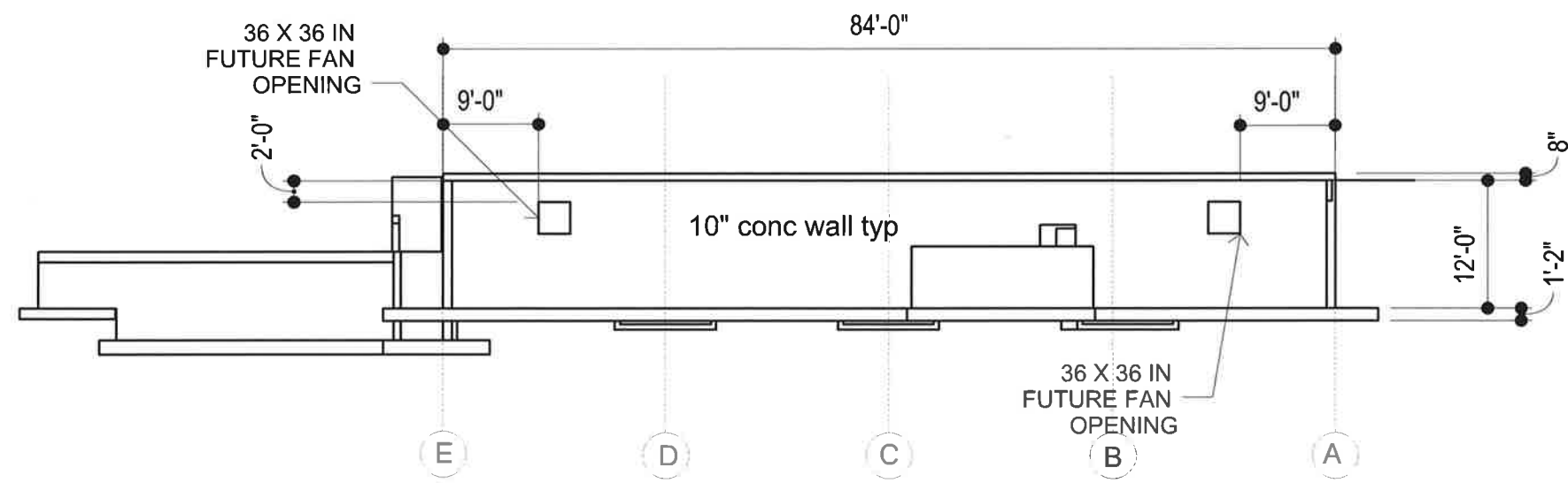
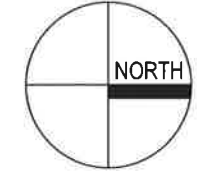
date 02-20-2017
REV xxx

(C) COPYRIGHT 2019

S2-20



EAST



NORTH



Monroe & Newell
STRUCTURAL ENGINEERS
1400 GLENARM ST - 101
DENVER CO 80202 303.623.4927

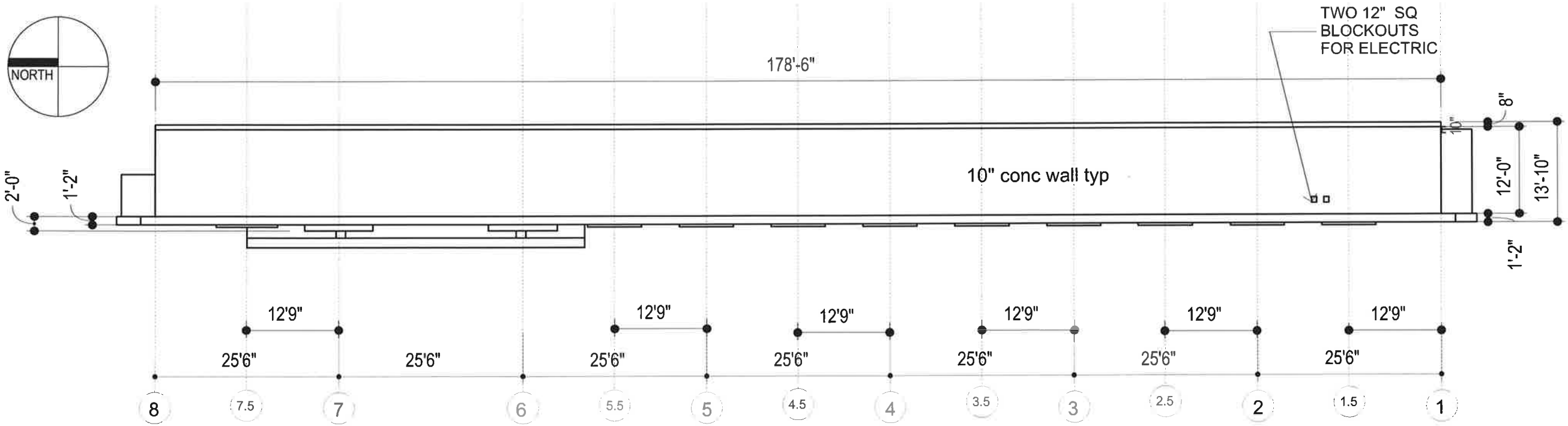
STRUCTURAL FOUNDATION ELEVATIONS

SCALE 1'=16'

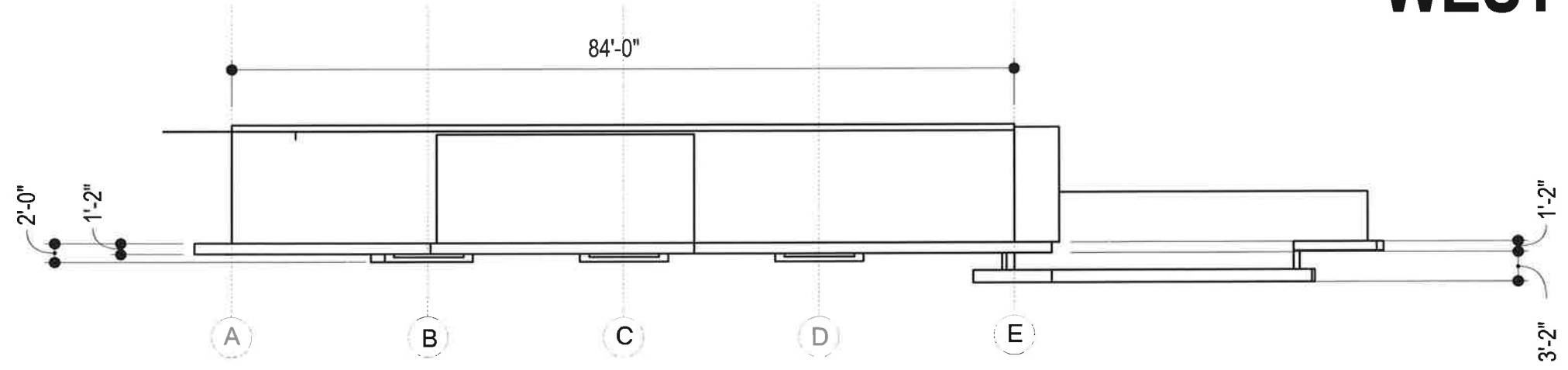
© COPYRIGHT 2019 KARIUS ARCHITECTURE LLC. THESE DRAWINGS ARE PROPERTY OF THE ARCHITECT AND ARE INSTRUMENTS OF SERVICE. THEY CAN NOT BE COPIED OR REPRODUCED IN ANY MANNER WITHOUT WRITTEN CONSENT OF THE ARCHITECT.

767 NILES ST GOLDEN CO JEFFERSON COUNTY	H MANUFACTURING CO	KARIUS ARCHITECTURE LLC	PO BOX 125 DENVER CO 80201 303.393.6350 pk@karius.com	date 02-20-2017 REV xxx	s3.01
--	---------------------------	-------------------------------	--	----------------------------	--------------

© COPYRIGHT 2019 KARIUSARCHITECTURE LLC. THESE DRAWINGS ARE PROPERTY OF THE ARCHITECT AND ARE INSTRUMENTS OF SERVICE. THEY CAN NOT BE COPIED OR REPRODUCED IN ANY MANNER WITHOUT WRITTEN CONSENT OF THE ARCHITECT.



WEST



SOUTH



Monroe & Newell
 ENGINEERS, INC.
 STRUCTURAL ENGINEERS
 1400 GLENARM ST - 101
 DENVER CO 80202 303.623.4927

STRUCTURAL FOUNDATION ELEVATIONS

SCALE 1"=16'

767 NILE ST
GOLDEN CO JEFFERSON COUNTY

H MANUFACTURING CO

KARIUS
 ARCHITECTURE
 LLC

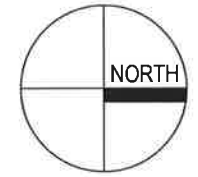
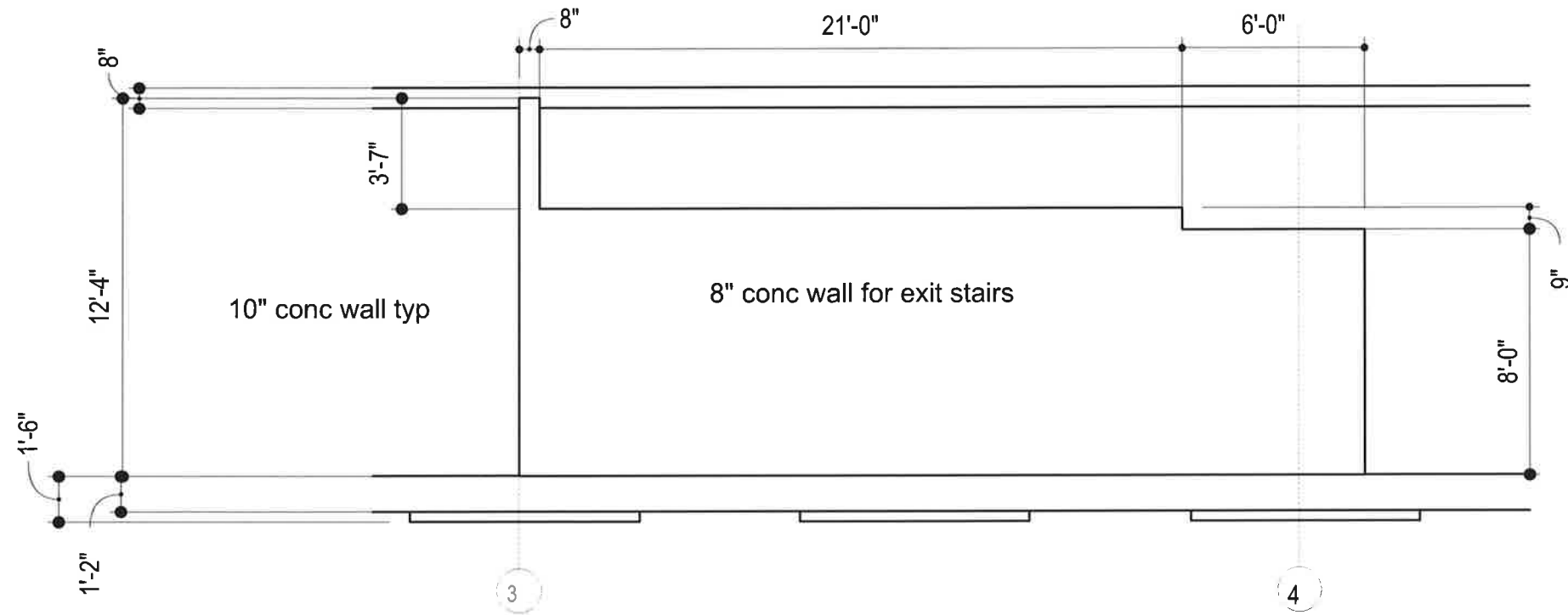
PO BOX 125 303.393.6350
 DENVER CO 80201 pk@karius.com

date 02-20-2017
 REV xxx

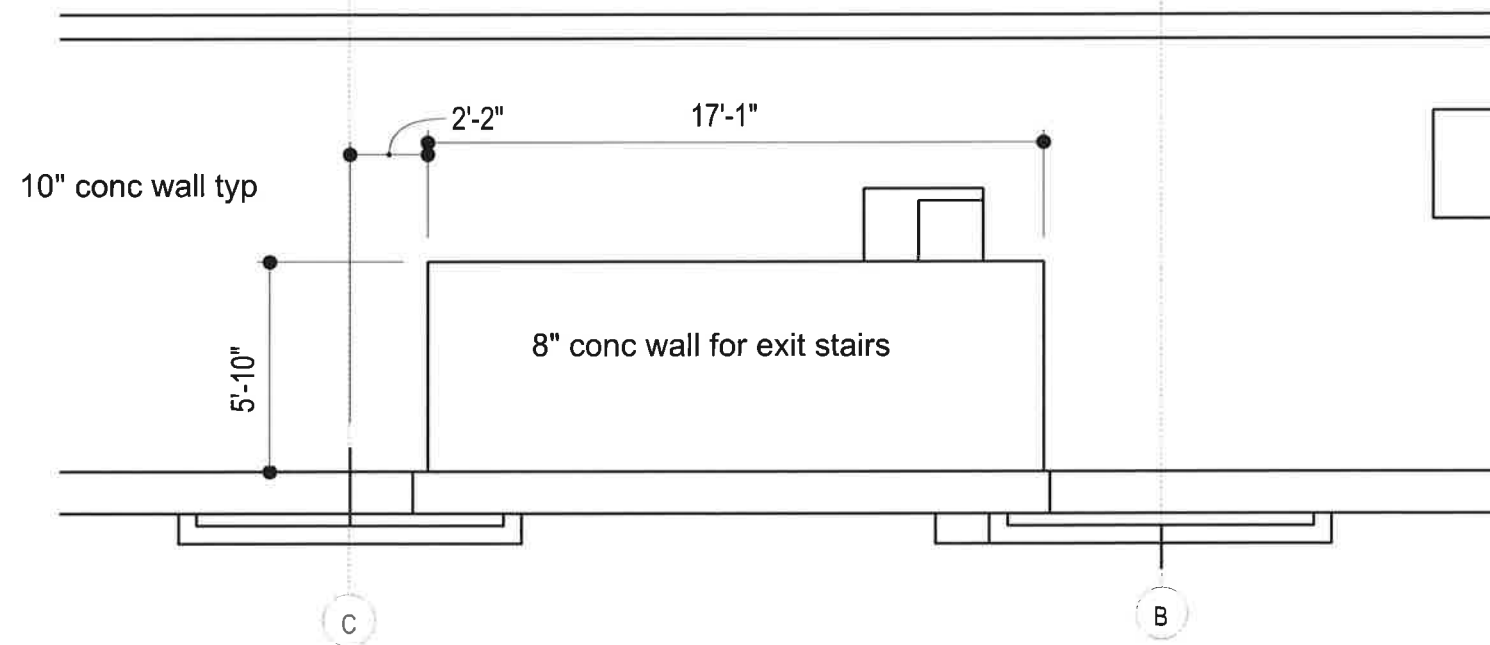
s3.02

(C) COPYRIGHT 2019

© COPYRIGHT 2019 KARIUSARCHITECTURE LLC. THESE DRAWINGS ARE PROPERTY OF THE ARCHITECT AND ARE INSTRUMENTS OF SERVICE. THEY CAN NOT BE COPIED OR REPRODUCED IN ANY MANNER WITHOUT WRITTEN CONSENT OF THE ARCHITECT.



EAST EXIT STAIR WALL



NORTH EXIT STAIR WALL



Monroe & Newell
 Engineers, Inc.
 STRUCTURAL ENGINEERS
 1400 GLENARM ST - 101
 DENVER CO 80202 303.623.4927

STRUCTURAL FOUNDATION ELEVATIONS

SCALE 1"=16'

PERMIT SET FOUNDATION ONLY 16 JUN 2019

767 NILE ST
GOLDEN CO JEFFERSON COUNTY

H MANUFACTURING CO

KARIUS
ARCHITECTURE
LLC

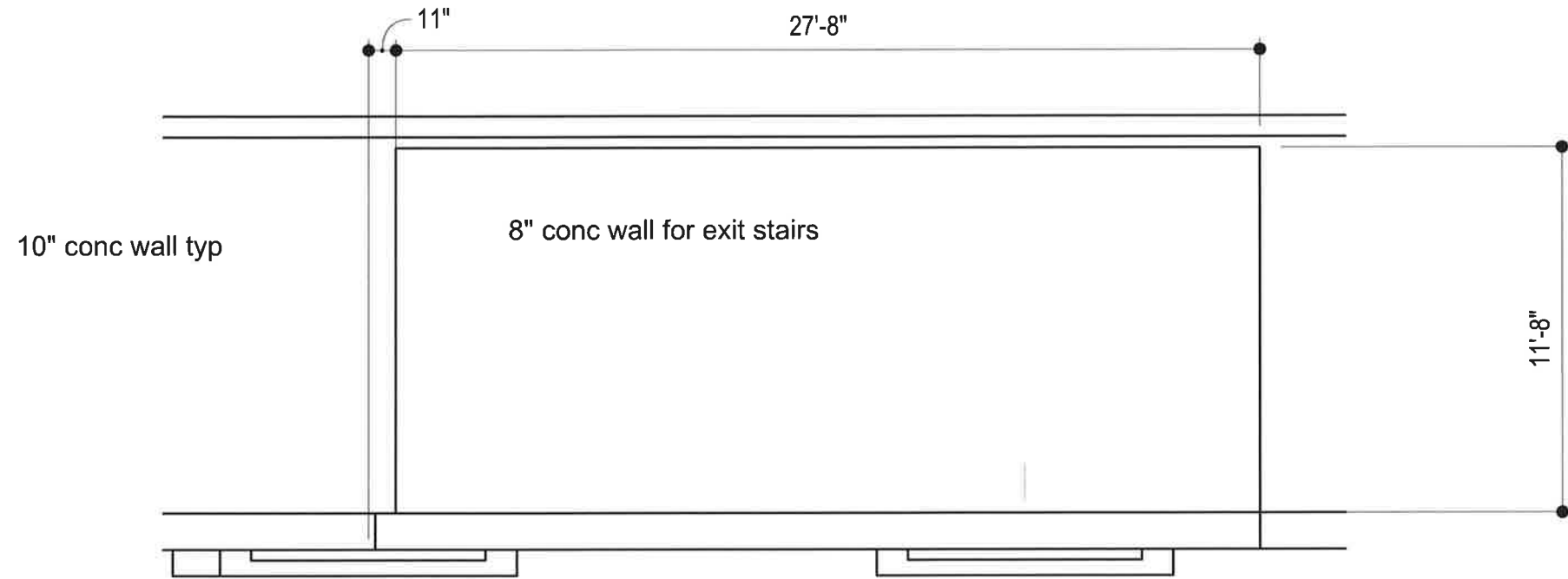
PO BOX 125 303.393.6350
DENVER CO 80201 pk@karius.com

date 02-20-2017
REV xxx

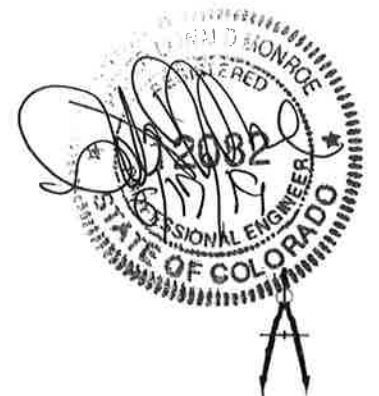
(C) COPYRIGHT 2019

s3.03

(c) COPYRIGHT 2019 KARIUSARCHITECTURE LLC. THESE DRAWINGS ARE PROPERTY OF THE ARCHITECT AND ARE INSTRUMENTS OF SERVICE. THEY CAN NOT BE COPIED OR REPRODUCED IN ANY MANNER WITHOUT WRITTEN CONSENT OF THE ARCHITECT.



SOUTH EXIT STAIR WALL



Monroe & Newell
Engineers, P.C.
STRUCTURAL ENGINEERS
1400 GLENARM ST - 101
DENVER CO 80202 303.623.4927

STRUCTURAL FOUNDATION ELEVATIONS

SCALE 1"=16'

PERMIT SET FOUNDATION ONLY 16 JUN 2019

767 NILE ST
GOLDEN CO JEFFERSON COUNTY

H MANUFACTURING CO

KARIUS
ARCHITECTURE
LLC

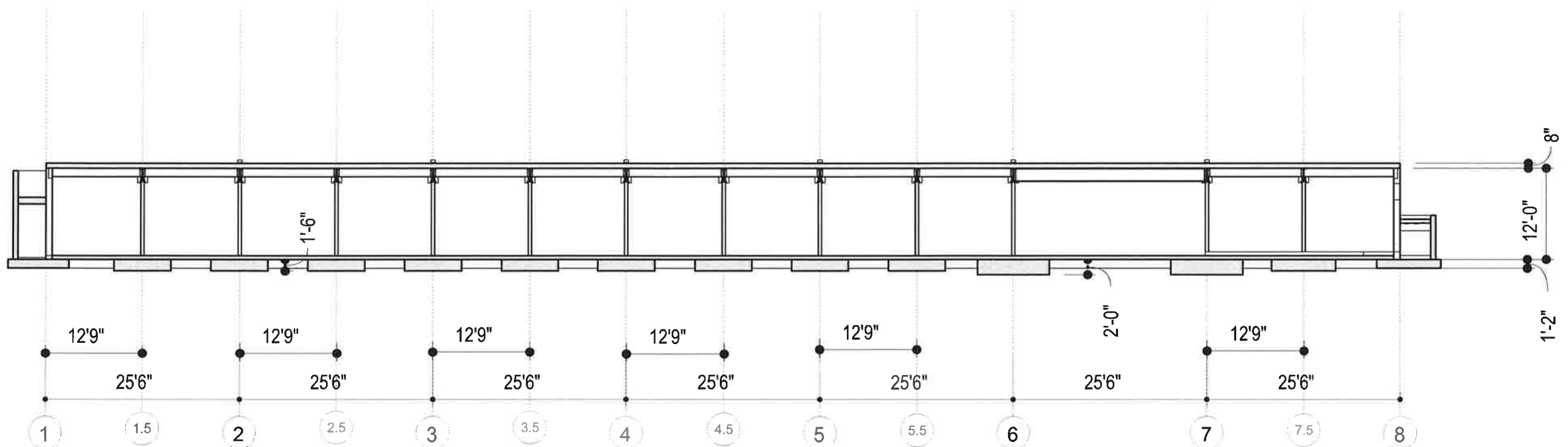
PO BOX 125 303.393.6350
DENVER CO 80201 pk@karius.com

date 02-20-2017
REV xxx

(c) COPYRIGHT 2019

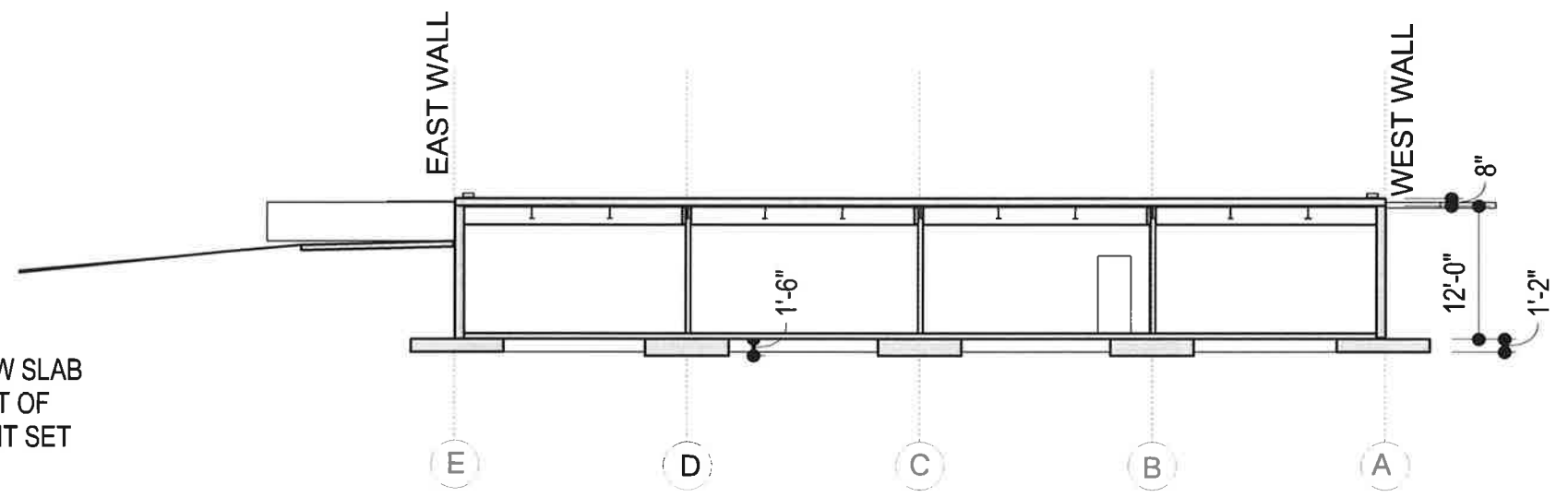
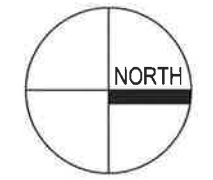
S3.04

(C) COPYRIGHT KARIUSARCHITECTURE LLC. THESE DRAWINGS ARE PROPERTY OF THE ARCHITECT AND ARE INSTRUMENTS OF SERVICE. THEY CAN NOT BE COPIED OR REPRODUCED IN ANY MANNER WITHOUT WRITTEN CONSENT OF THE ARCHITECT.



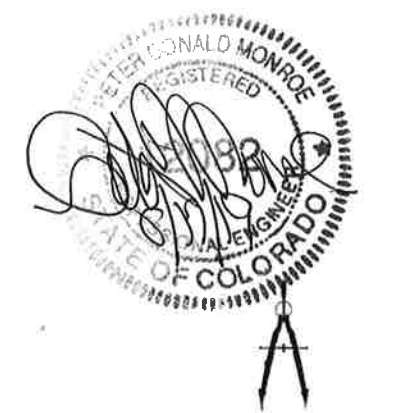
LOWER SLAB AND BELOW SLAB
 UTILITIES ARE NOT PART OF
 THE FOUNDATION PERMIT SET

SECTION 1



LOWER SLAB AND BELOW SLAB
 UTILITIES ARE NOT PART OF
 THE FOUNDATION PERMIT SET

SECTION 2



Monroe & Newell
 Engineers, Inc.
 STRUCTURAL ENGINEERS
 1400 GLENARM ST - 101
 DENVER CO 80202 303.623.4927

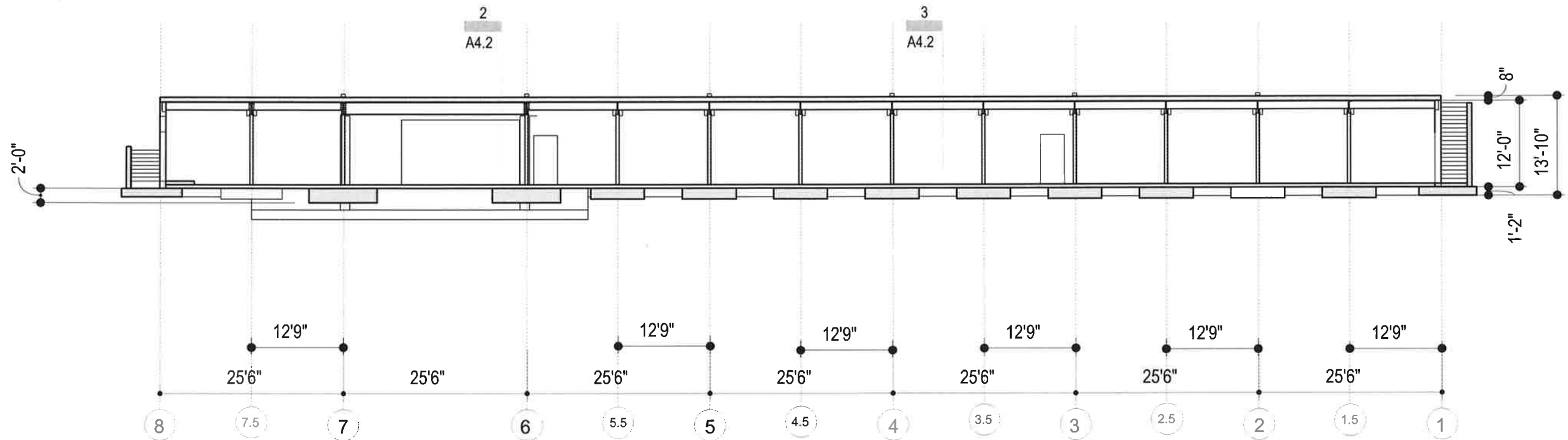
STRUCTURAL FOUNDATION SECTIONS

SCALE 1"=16'

PERMIT SET FOUNDATION ONLY 16 JUN 2019

767 NILES ST GOLDEN CO JEFFERSON COUNTY	H MANUFACTURING CO	KARIUS ARCHITECTURE <small>LLC</small>	PO BOX 125 303.393.6350 DENVER CO 80201 pk@karius.com	date 02-20-2017 REV xxx	s4.01 <small>(C) COPYRIGHT 2019</small>
--	---------------------------	--	--	----------------------------	---

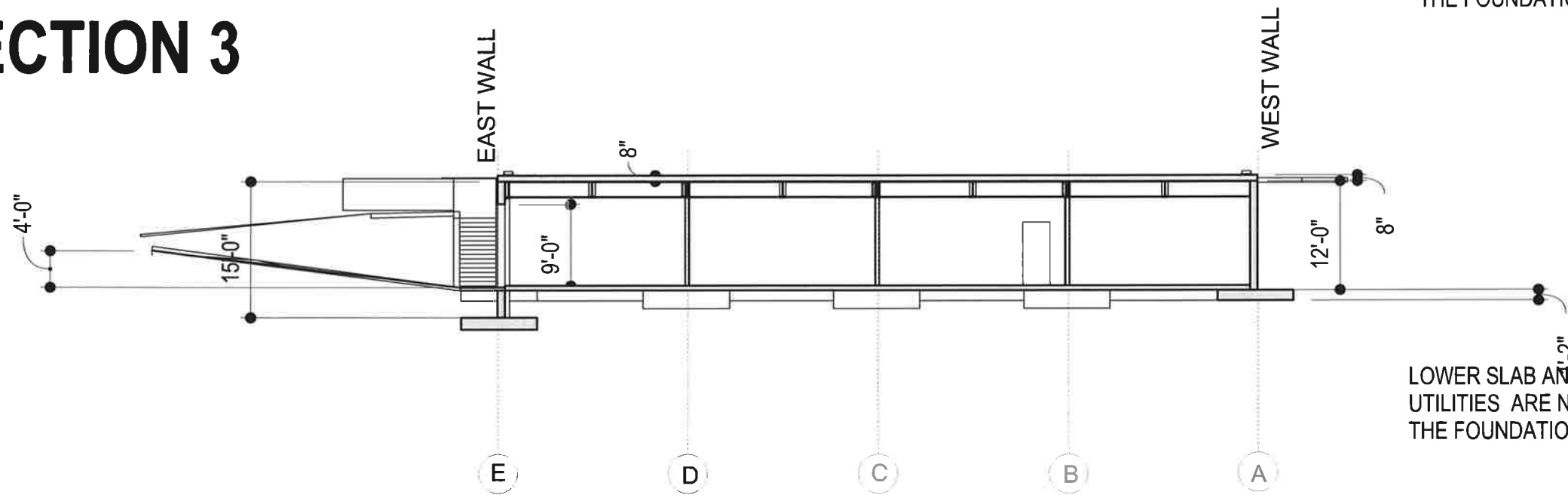
(C) COPYRIGHT KARIUSARCHITECTURE LLC. THESE DRAWINGS ARE PROPERTY OF THE ARCHITECT AND ARE INSTRUMENTS OF SERVICE. THEY CAN NOT BE COPIED OR REPRODUCED IN ANY MANNER WITHOUT WRITTEN CONSENT OF THE ARCHITECT.



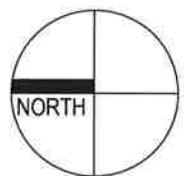
LOWER SLAB AND BELOW SLAB UTILITIES ARE NOT PART OF THE FOUNDATION PERMIT SET



SECTION 3



LOWER SLAB AND BELOW SLAB UTILITIES ARE NOT PART OF THE FOUNDATION PERMIT SET



SECTION 4



Monroe & Newell
 Engineers, Inc.
 STRUCTURAL ENGINEERS
 1400 GLENARM ST - 101
 DENVER CO 80202 303.623.4927

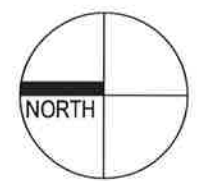
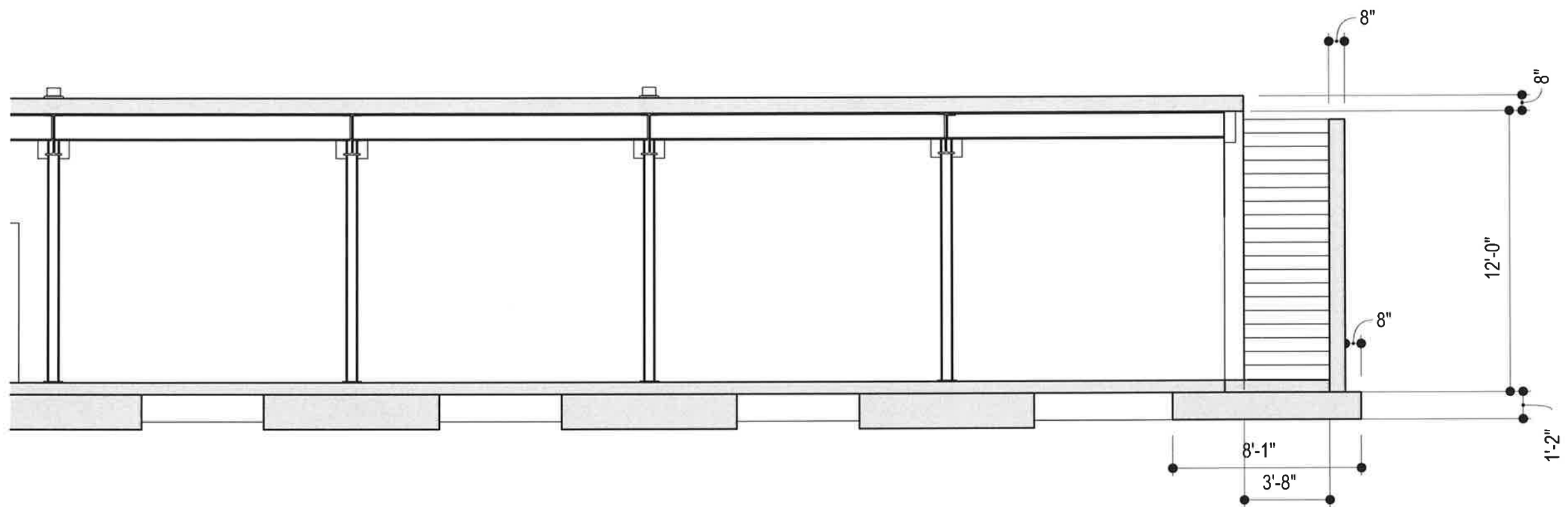
STRUCTURAL FOUNDATION SECTIONS

SCALE 1"=16'

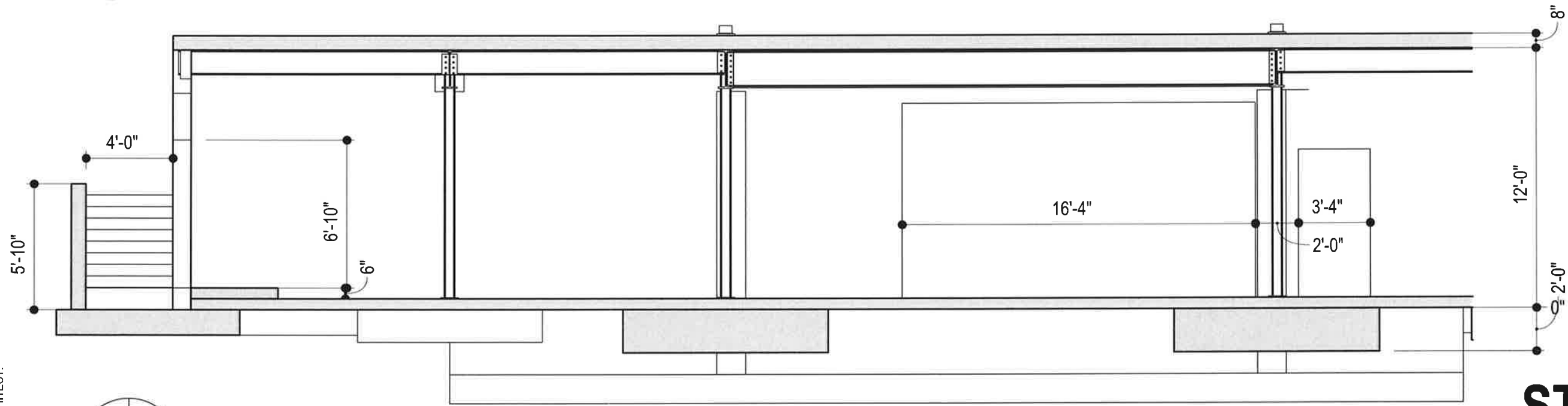
PERMIT SET FOUNDATION ONLY 16 JUN 2019

767 NILES ST GOLDEN CO JEFFERSON COUNTY	H MANUFACTURING CO	KARIUS ARCHITECTURE <small>LLC</small>	PO BOX 125 303.393.6350 DENVER CO 80201 pk@karius.com	date 02-20-2017 REV xxx	s4.02 <small>(C) COPYRIGHT 2019</small>
--	---------------------------	--	--	----------------------------	---

(c) COPYRIGHT KARIUSARCHITECTURE LLC. THESE DRAWINGS ARE PROPERTY OF THE ARCHITECT AND ARE INSTRUMENTS OF SERVICE. THEY CAN NOT BE COPIED OR REPRODUCED IN ANY MANNER WITHOUT WRITTEN CONSENT OF THE ARCHITECT.



SECTION 5



SECTION 6



Monroe & Newell
 ENGINEERS, Inc.
 STRUCTURAL ENGINEERS
 1400 GLENARM ST - 101
 DENVER CO 80202 303.623.4927

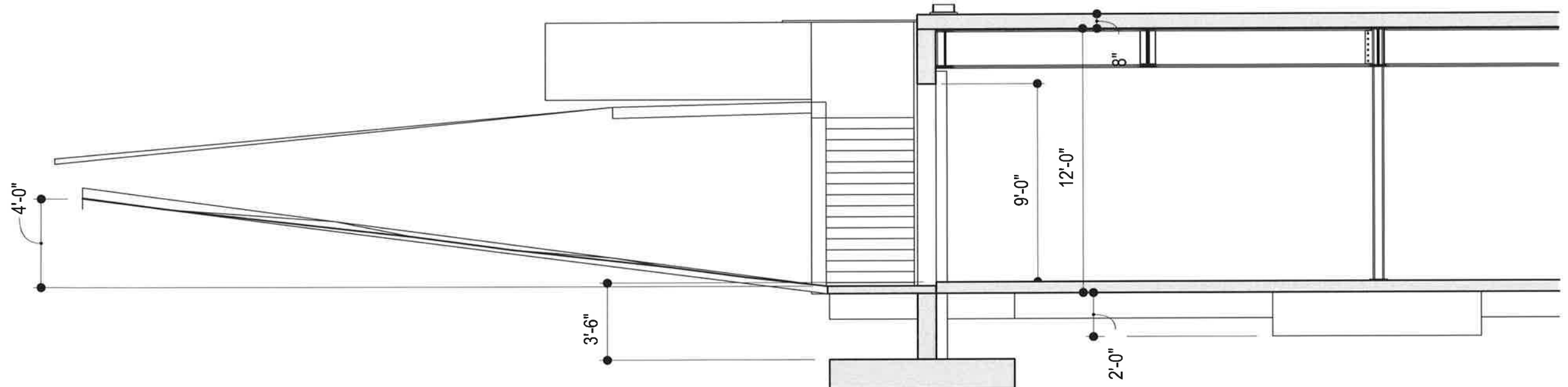
STRUCTURAL FOUNDATION SECTIONS

SCALE 3/16" = 1'0"

PERMIT SET FOUNDATION ONLY 16 JUN 2019

767 NILES ST GOLDEN CO JEFFERSON COUNTY	H MANUFACTURING CO	KARIUS ARCHITECTURE LLC	PO BOX 125 DENVER CO 80201	303.393.6350 pk@karius.com	date 02-20-2017 REV xxx	S4.03 <small>(c) COPYRIGHT 2019</small>
--	---------------------------	-------------------------------	-------------------------------	-------------------------------	----------------------------	---

© COPYRIGHT KARIUSARCHITECTURE LLC. THESE DRAWINGS ARE PROPERTY OF THE ARCHITECT AND ARE INSTRUMENTS OF SERVICE. THEY CAN NOT BE COPIED OR REPRODUCED IN ANY MANNER WITHOUT WRITTEN CONSENT OF THE ARCHITECT.



SECTION 7



Monroe & Newell
STRUCTURAL ENGINEERS
1400 GLENARM ST - 101
DENVER CO 80202 303.623.4927

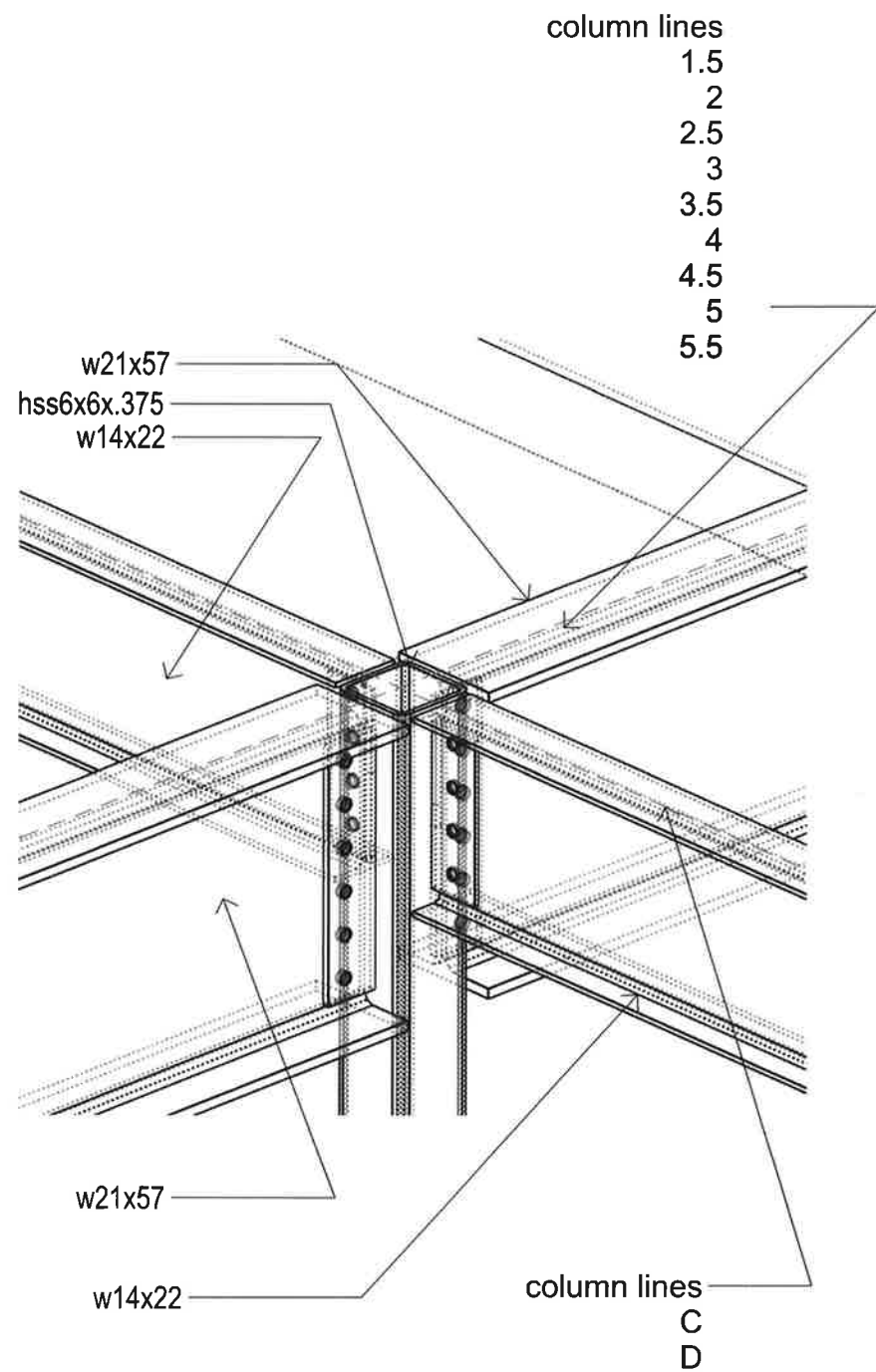
STRUCTURAL FOUNDATION SECTIONS

SCALE 3/16" = 1'0"

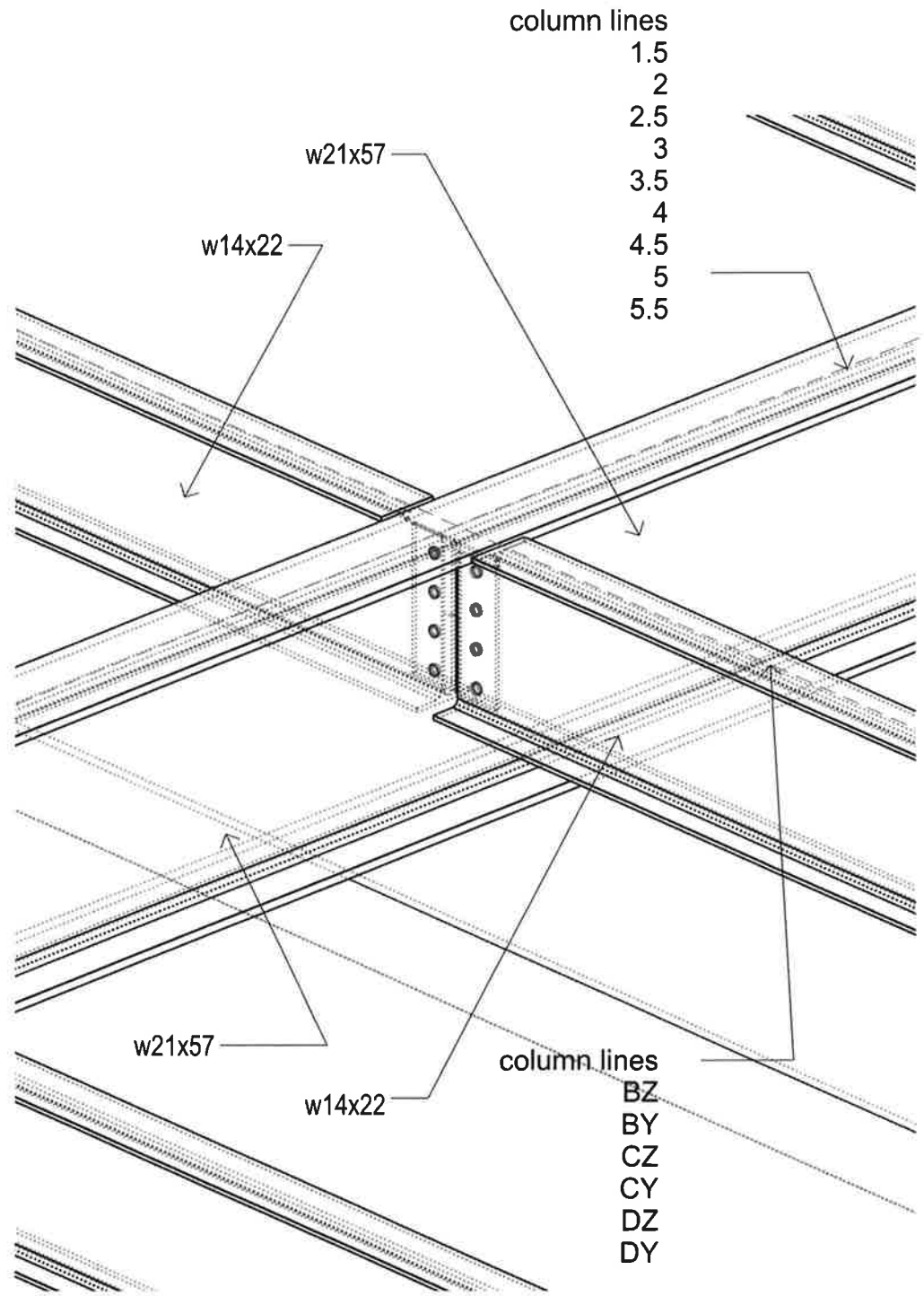
PERMIT SET FOUNDATION ONLY 16 JUN 2019

	767 NILES ST GOLDEN CO JEFFERSON COUNTY	H MANUFACTURING CO	KARIUS ARCHITECTURE LLC	PO BOX 125 303.393.6350 DENVER CO 80201 pk@karius.com	date 02-20-2017 REV xxx	s4.04 <small>(C) COPYRIGHT 2019</small>
--	--	---------------------------	-------------------------------	--	----------------------------	---

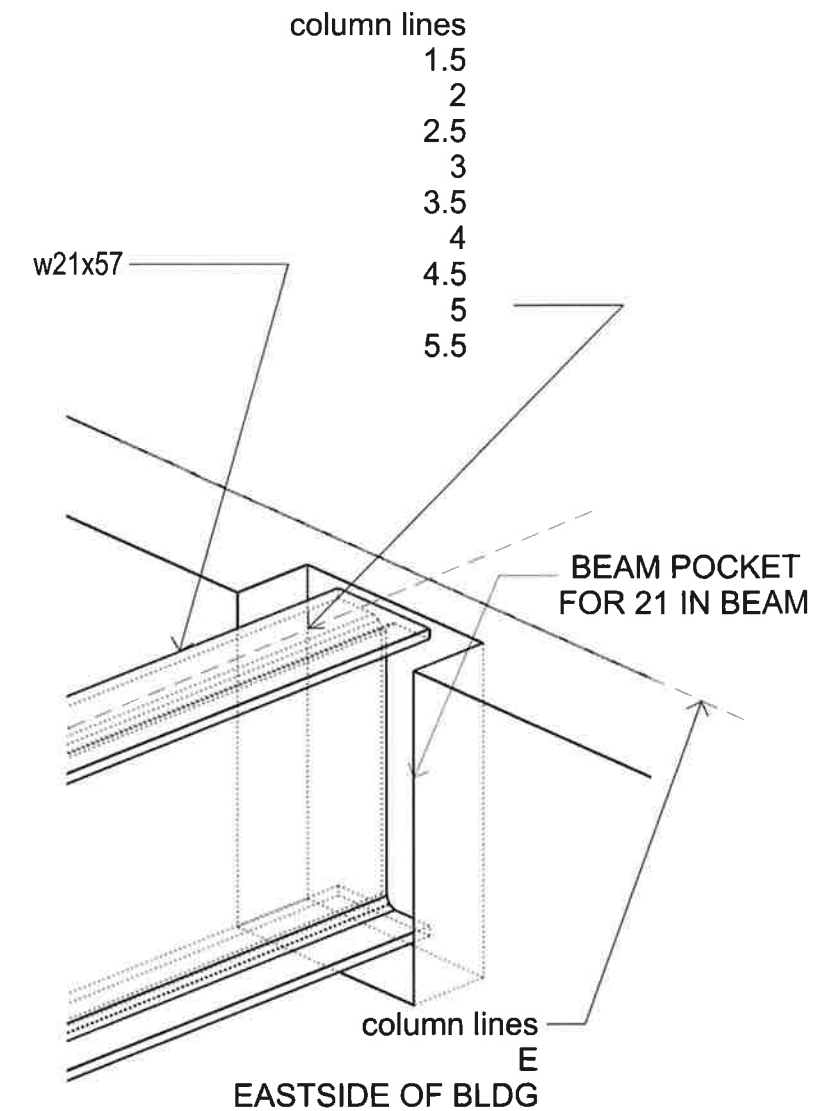
(c) COPYRIGHT KARIUSARCHITECTURE LLC. THESE DRAWINGS ARE PROPERTY OF THE ARCHITECT AND ARE INSTRUMENTS OF SERVICE. THEY CAN NOT BE COPIED OR REPRODUCED IN ANY MANNER WITHOUT WRITTEN CONSENT OF THE ARCHITECT.



CONNECTION A



CONNECTION B



CONNECTION C



Monroe & Newell
 Engineers, Inc.
 STRUCTURAL ENGINEERS
 1400 GLENARM ST - 101
 DENVER CO 80202 303.623.4927

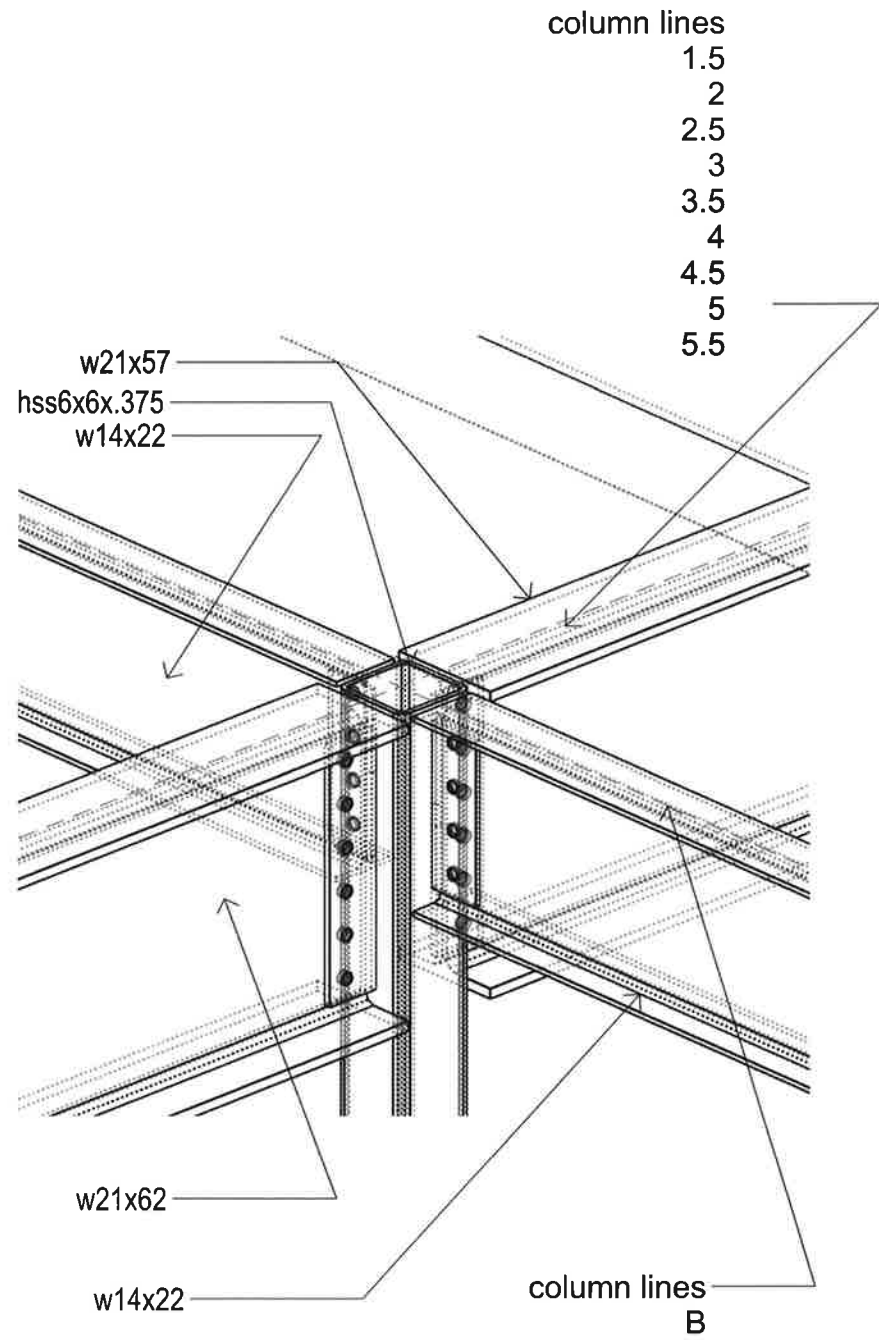
STRUCTURAL STEEL BEAM CONNECTIONS

S8.11

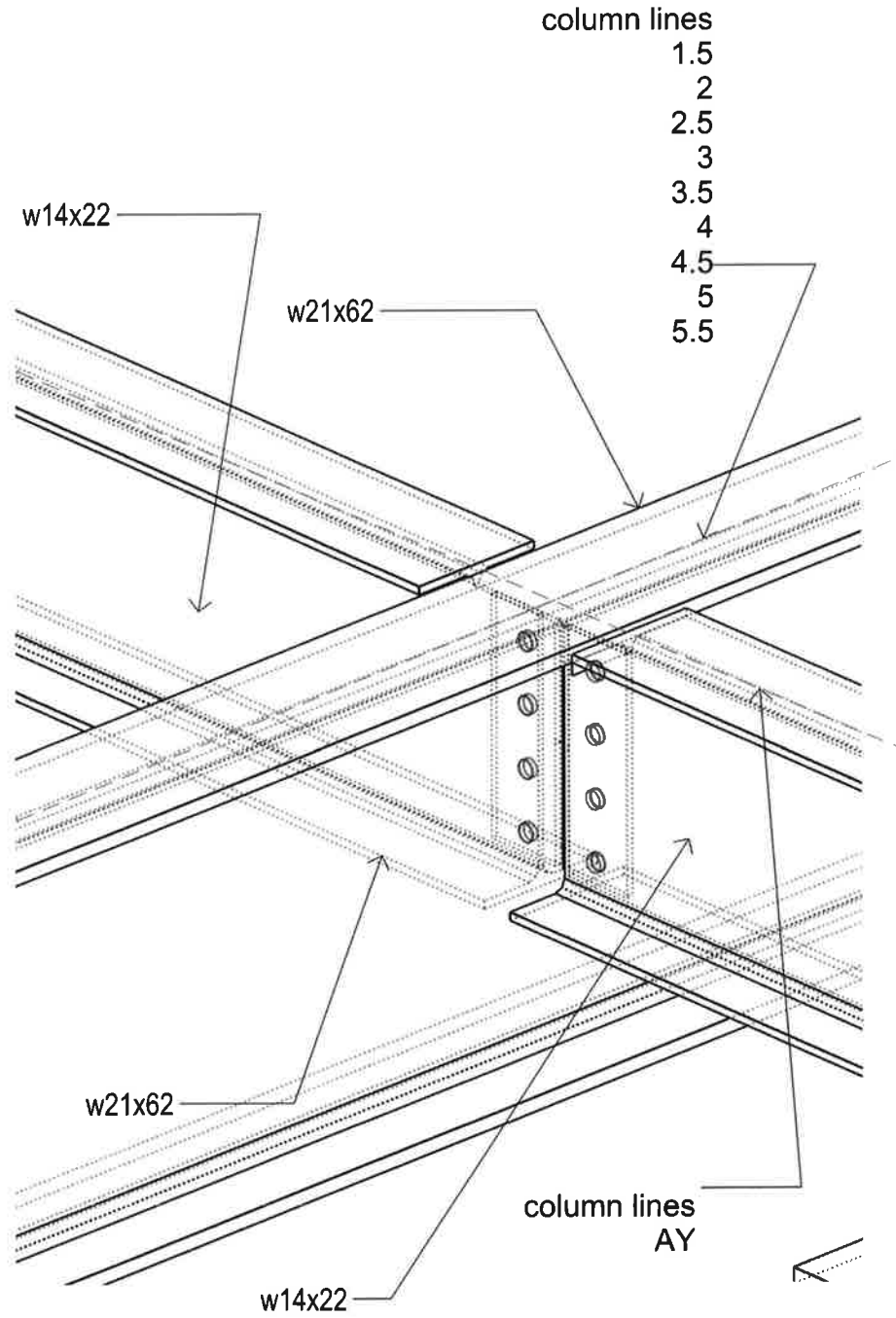
PERMIT SET FOUNDATION ONLY 16 JUN 2019

767 NILE ST GOLDEN CO JEFFERSON COUNTY	H MANUFACTURING CO	KARIUS ARCHITECTURE LLC	PO BOX 125 DENVER CO 80201	303.393.6350 pk@karius.com	date 16 JUN 2019 REV xxx	(c) COPYRIGHT 2019
---	---------------------------	-------------------------------	-------------------------------	-------------------------------	-----------------------------	--------------------

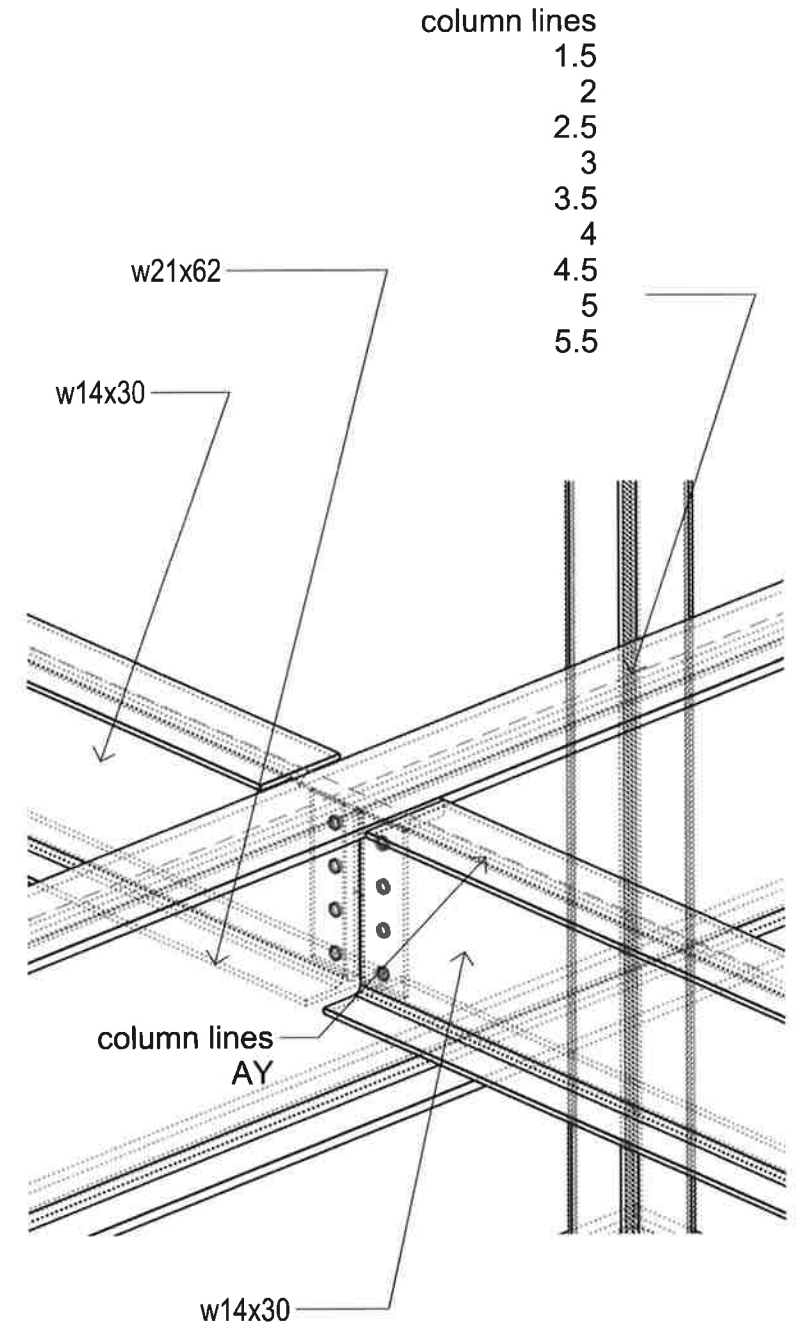
(C) COPYRIGHT KARIUSARCHITECTURE LLC. THESE DRAWINGS ARE PROPERTY OF THE ARCHITECT AND ARE INSTRUMENTS OF SERVICE. THEY CAN NOT BE COPIED OR REPRODUCED IN ANY MANNER WITHOUT WRITTEN CONSENT OF THE ARCHITECT.



CONNECTION D



CONNECTION E



CONNECTION F



Monroe & Newell
 ENGINEERS, INC.
 STRUCTURAL ENGINEERS
 1400 GLENARM ST - 101
 DENVER CO 80202 303.623.4927



STRUCTURAL STEEL BEAM CONNECTIONS

\$8.12

PERMIT SET FOUNDATION ONLY 16 JUN 2019

767 NILE ST
GOLDEN CO JEFFERSON COUNTY

H MANUFACTURING CO

KARIUS
ARCHITECTURE
LLC

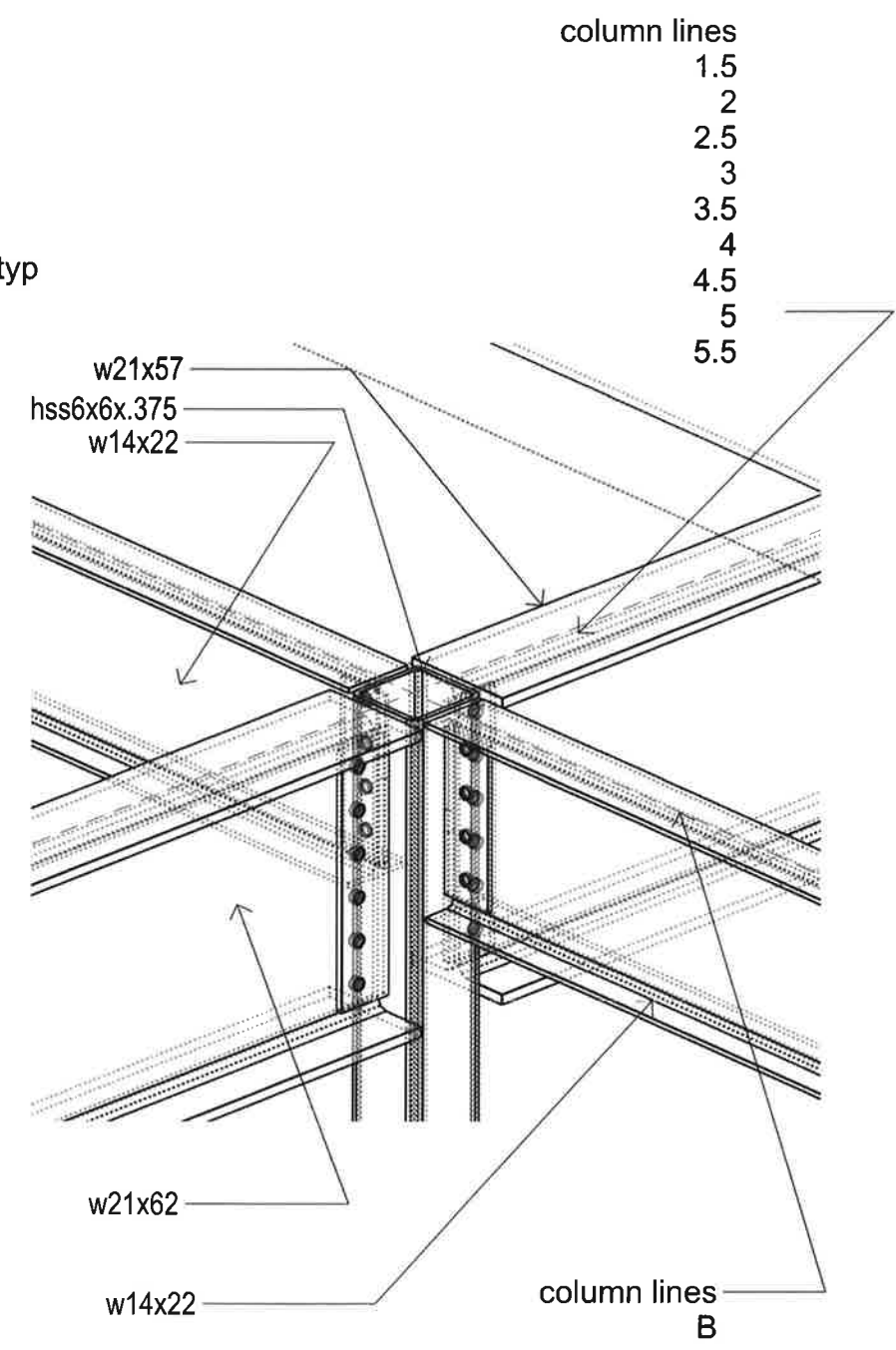
PO BOX 125 303.393.6350
DENVER CO 80201 pk@karius.com

date 16 JUN 2019
REV xxx

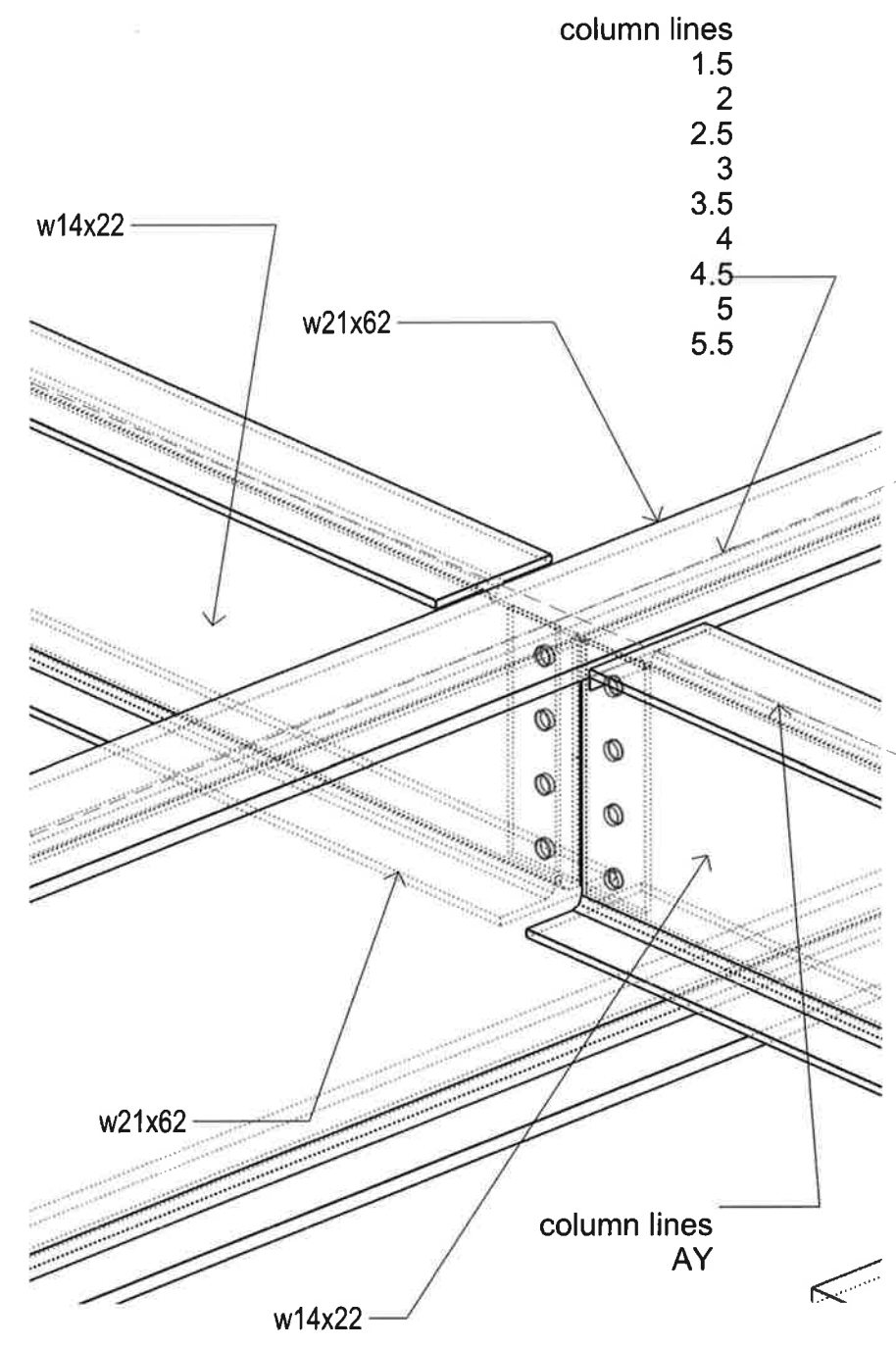
(C) COPYRIGHT 2019

(C) COPYRIGHT KARIUSARCHITECTURE LLC. THESE DRAWINGS ARE PROPERTY OF THE ARCHITECT AND ARE INSTRUMENTS OF SERVICE. THEY CAN NOT BE COPIED OR REPRODUCED IN ANY MANNER WITHOUT WRITTEN CONSENT OF THE ARCHITECT.

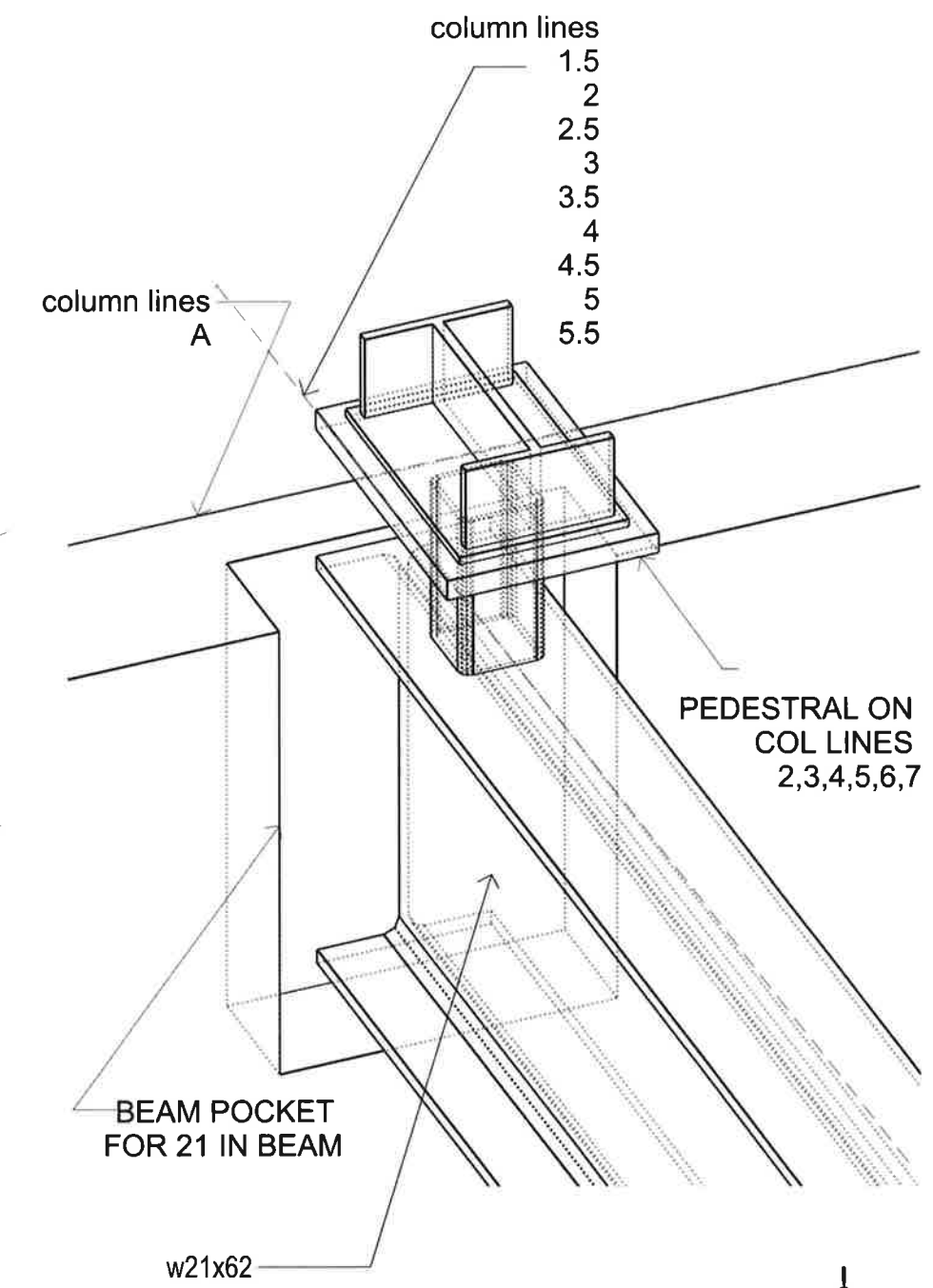
10" conc wall typ



CONNECTION G



CONNECTION H



CONNECTION J



Monroe & Newell
 ENGINEERS, INC.
 STRUCTURAL ENGINEERS
 1400 GLENARM ST - 101
 DENVER CO 80202 303.623.4927



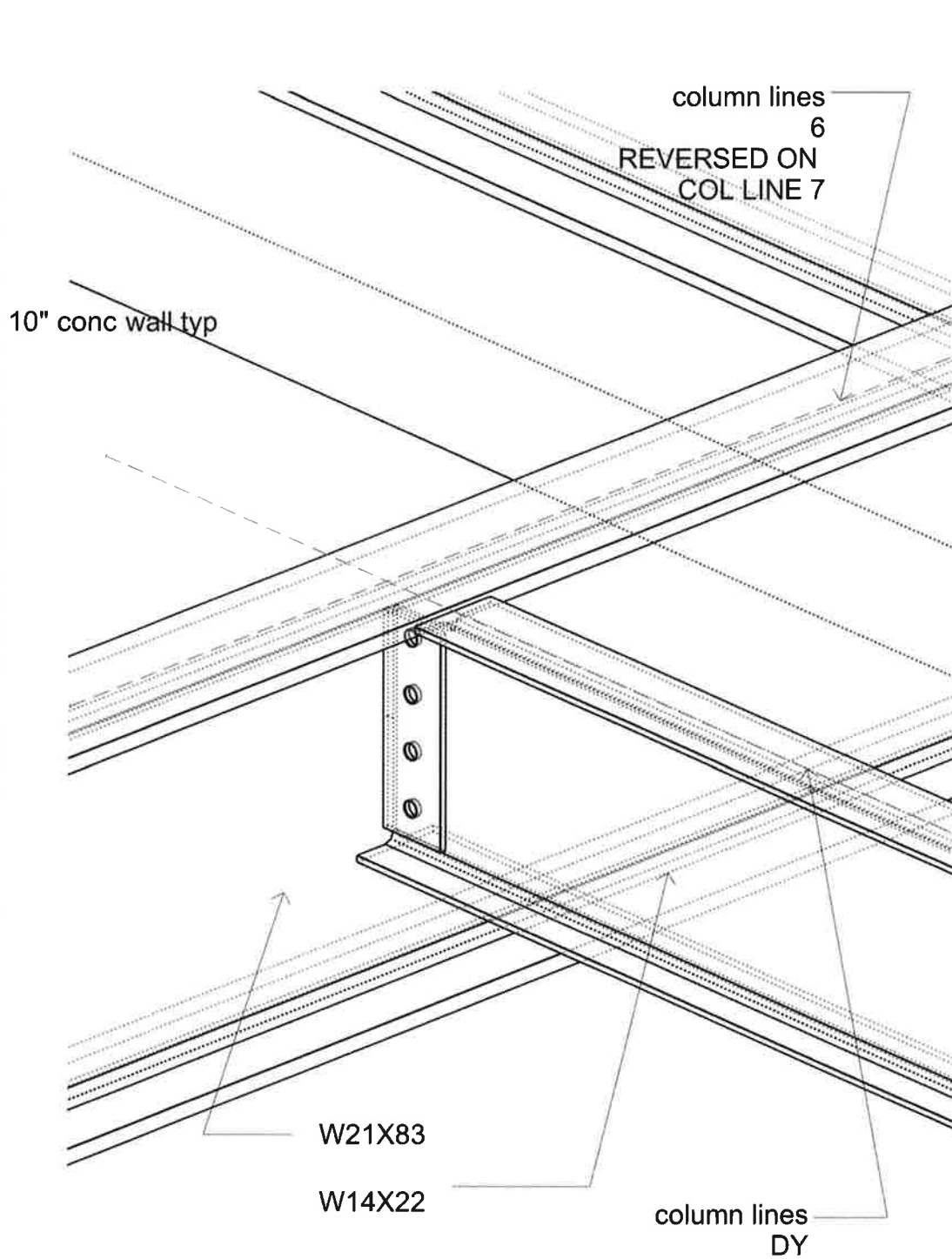
STRUCTURAL STEEL BEAM CONNECTIONS

S8.13

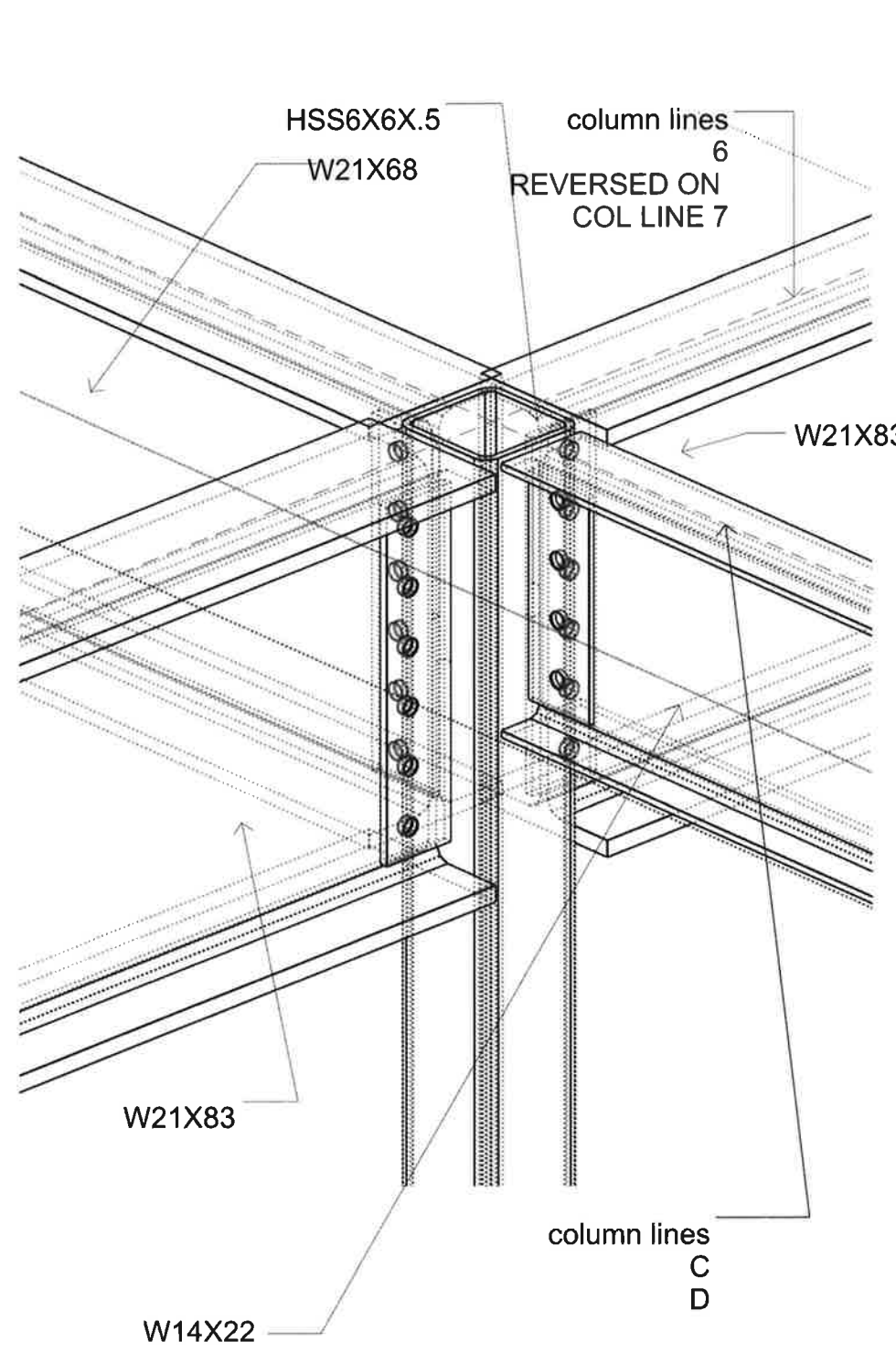
PERMIT SET FOUNDATION ONLY 16 JUN 2019

767 NILES ST GOLDEN CO JEFFERSON COUNTY	H MANUFACTURING CO	KARIUS ARCHITECTURE LLC	PO BOX 125 DENVER CO 80201	303.393.6350 pk@karius.com	date 16 JUN 2019 REV xxx	(C) COPYRIGHT 2019
--	---------------------------	-------------------------------	-------------------------------	-------------------------------	-----------------------------	--------------------

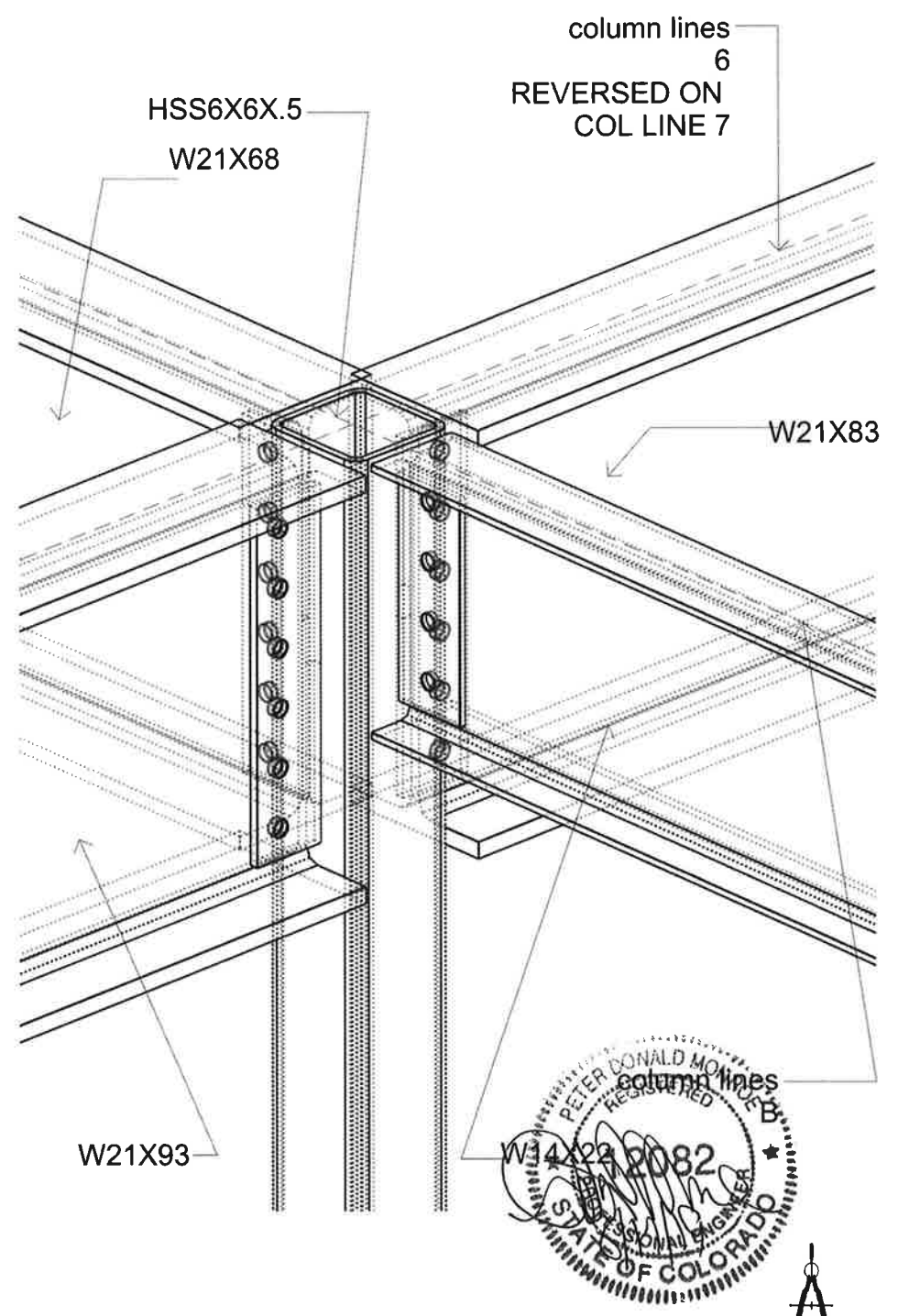
(c) COPYRIGHT KARIUSARCHITECTURE LLC. THESE DRAWINGS ARE PROPERTY OF THE ARCHITECT AND ARE INSTRUMENTS OF SERVICE. THEY CAN NOT BE COPIED OR REPRODUCED IN ANY MANNER WITHOUT WRITTEN CONSENT OF THE ARCHITECT.



CONNECTION K



CONNECTION L



CONNECTION M



Monroe & Newell
 ENGINEERS, ETC.
 STRUCTURAL ENGINEERS
 1400 GLENARM ST - 101
 DENVER CO 80202 303.623.4927

PERMIT SET FOUNDATION ONLY 16 JUN 2019

STRUCTURAL STEEL BEAM CONNECTIONS

s8.14

767 NILES ST
 GOLDEN CO JEFFERSON COUNTY

H MANUFACTURING CO

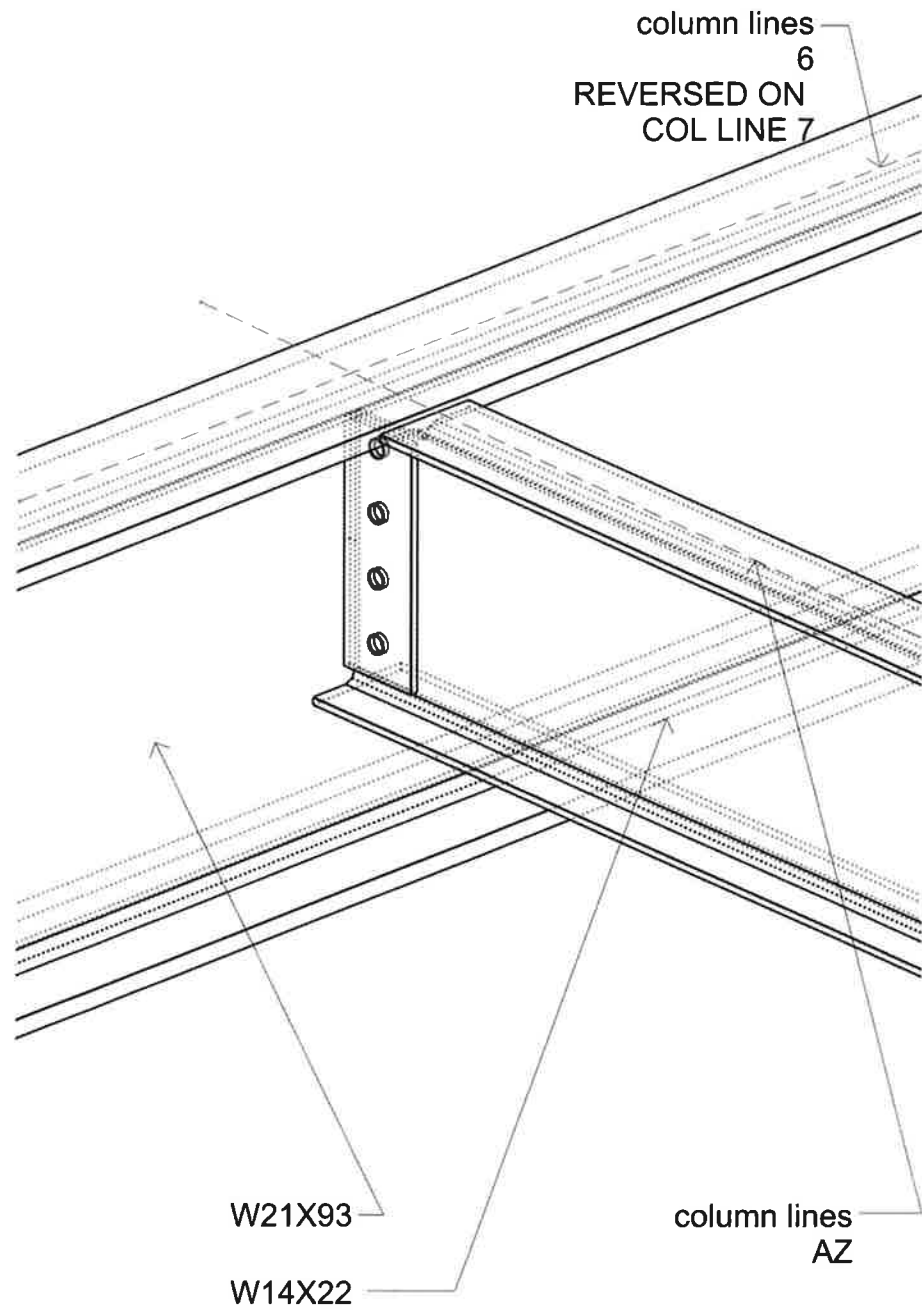
KARIUS
 ARCHITECTURE
 LLC

PO BOX 125 303.393.6350
 DENVER CO 80201 pk@karius.com

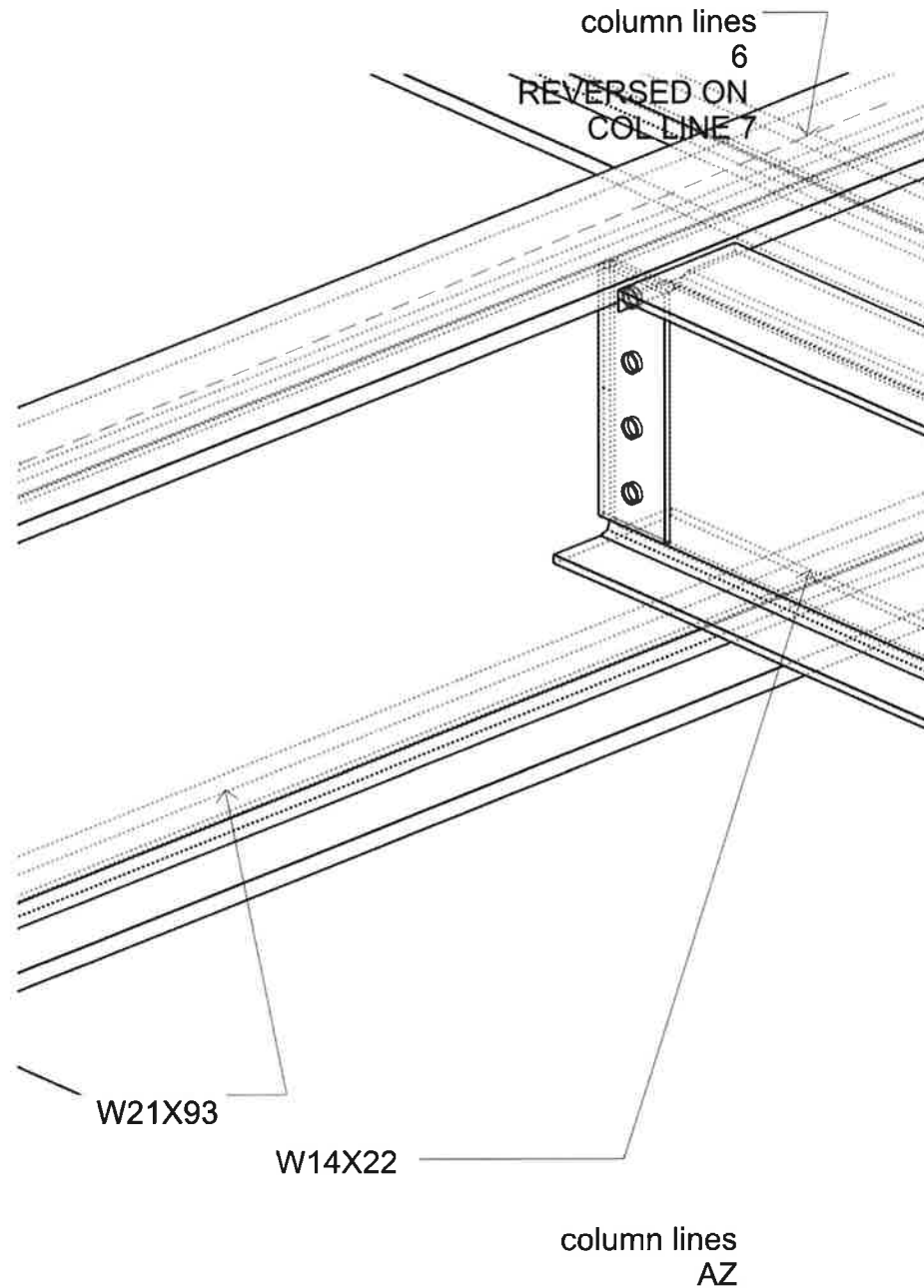
date 16 JUN 2019
 REV xxx

(c) COPYRIGHT 2019

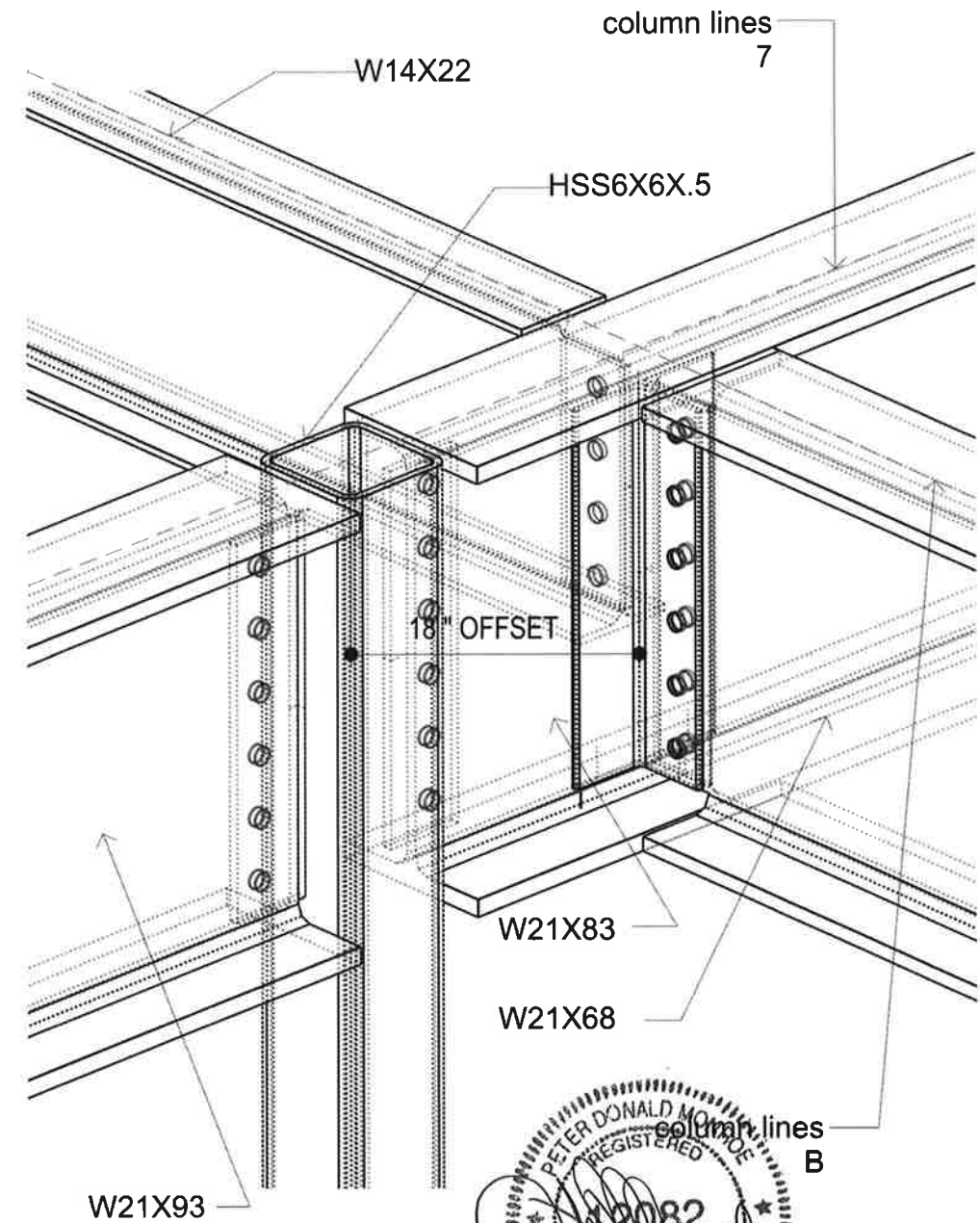
(c) COPYRIGHT KARIUSARCHITECTURE LLC. THESE DRAWINGS ARE PROPERTY OF THE ARCHITECT AND ARE INSTRUMENTS OF SERVICE. THEY CAN NOT BE COPIED OR REPRODUCED IN ANY MANNER WITHOUT WRITTEN CONSENT OF THE ARCHITECT.



CONNECTION N



CONNECTION P



CONNECTION Q



Monroe & Newell
Engineers, Inc.
STRUCTURAL ENGINEERS
1400 GLENARM ST - 101
DENVER CO 80202 303.623.4927

PERMIT SET FOUNDATION ONLY 16 JUN 2019

STRUCTURAL STEEL BEAM CONNECTIONS

\$8.15

767 NILES ST
GOLDEN CO JEFFERSON COUNTY

H MANUFACTURING CO

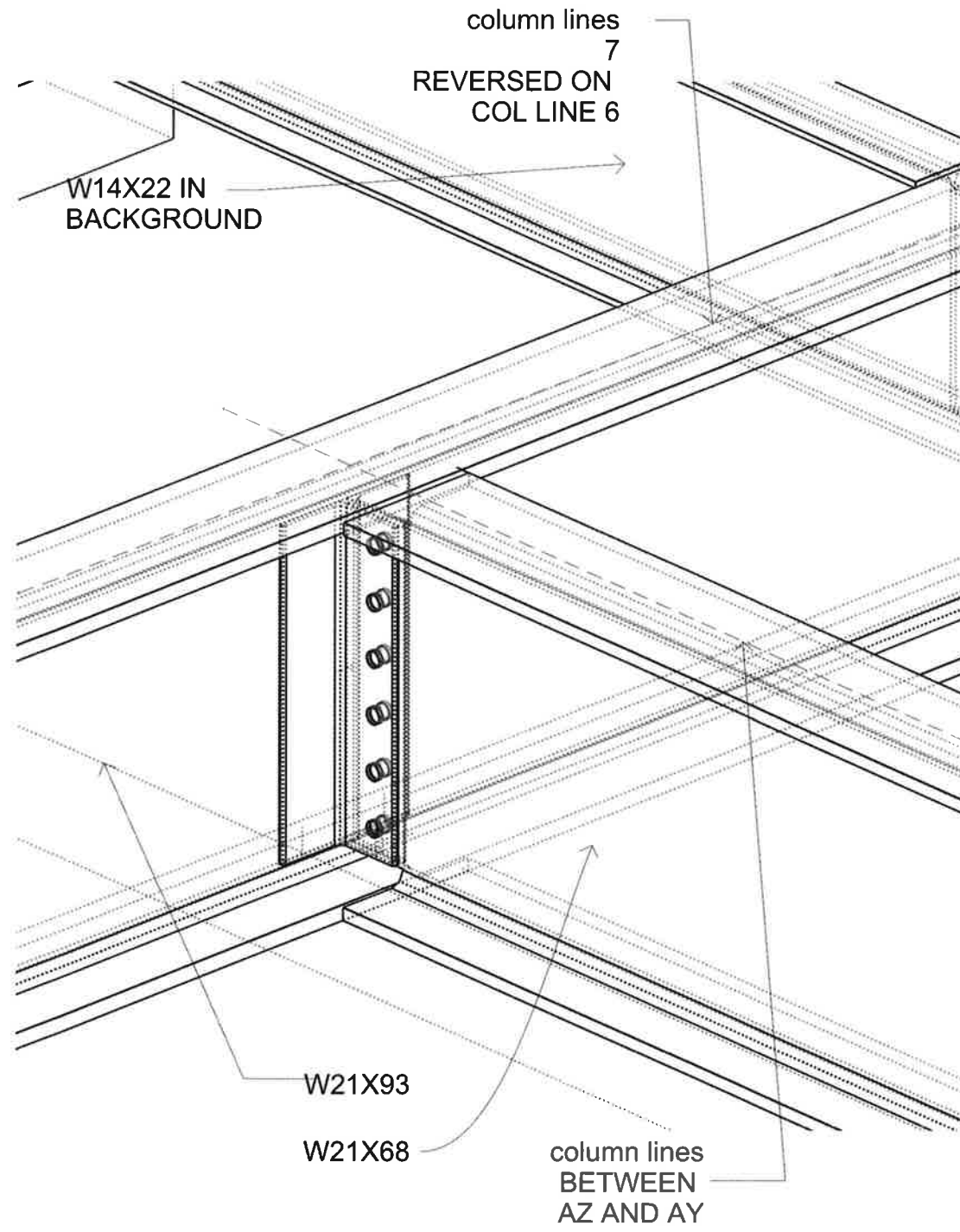
KARIUS
ARCHITECTURE
LLC

PO BOX 125 303.393.6350
DENVER CO 80201 pk@karius.com

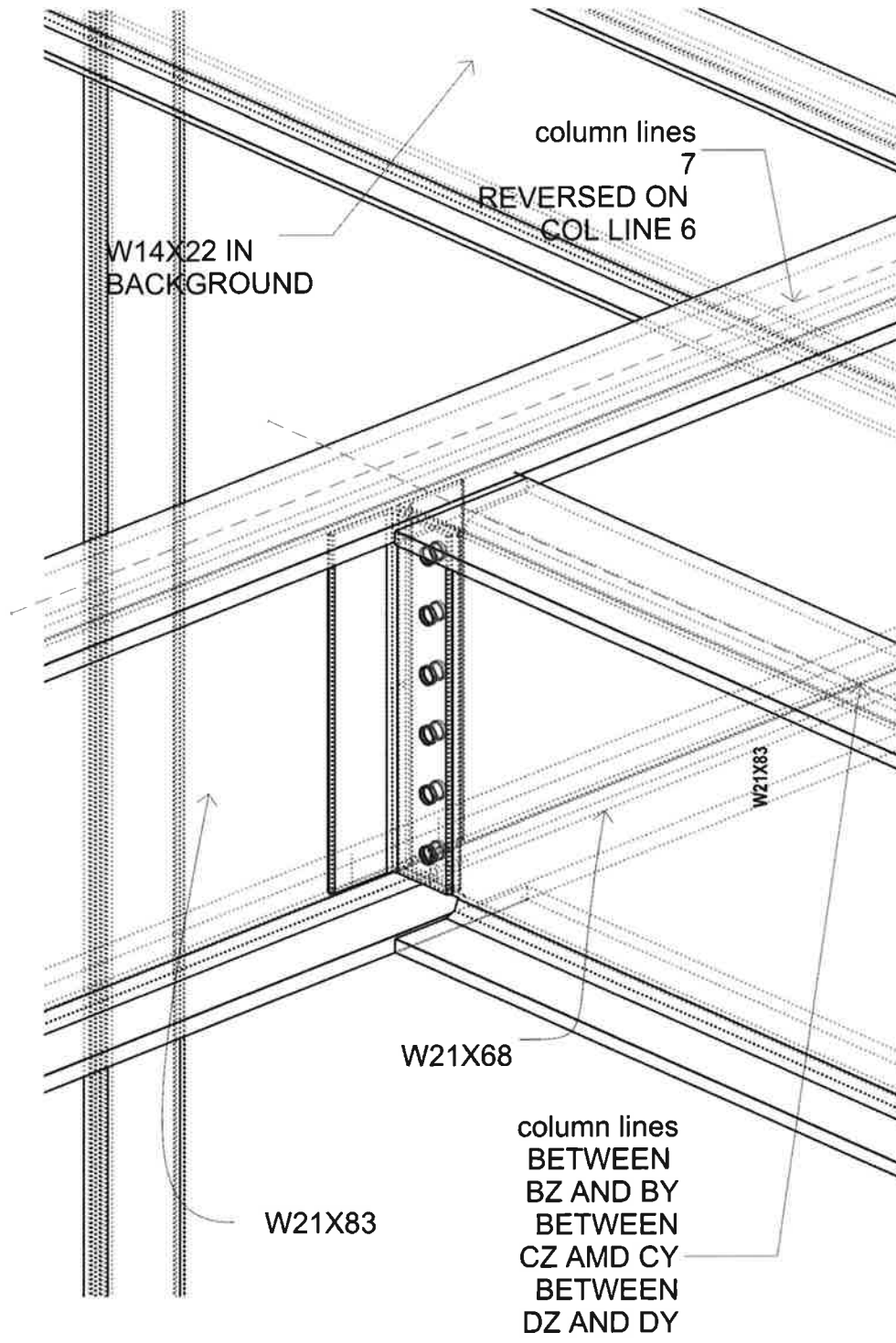
date 16 JUN 2019
REV xxx

(C) COPYRIGHT 2019

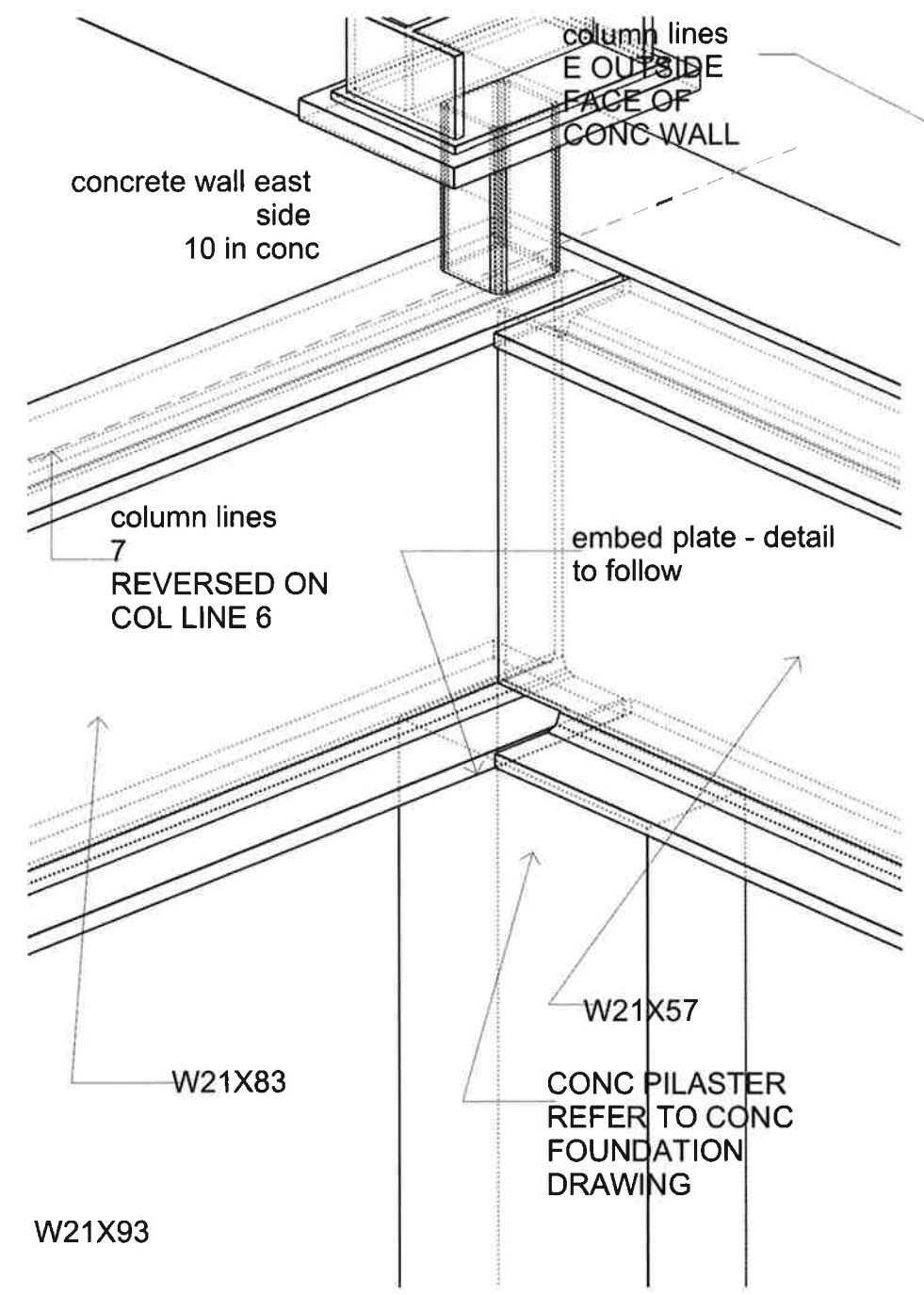
© COPYRIGHT KARIUS ARCHITECTURE LLC. THESE DRAWINGS ARE PROPERTY OF THE ARCHITECT AND ARE INSTRUMENTS OF SERVICE. THEY CAN NOT BE COPIED OR REPRODUCED IN ANY MANNER WITHOUT WRITTEN CONSENT OF THE ARCHITECT.



CONNECTION R



CONNECTION S



CONNECTION T



Monroe & Newell
 ENGINEERS, INC.
 STRUCTURAL ENGINEERS
 1400 GLENARM ST - 101
 DENVER CO 80202 303.623.4927

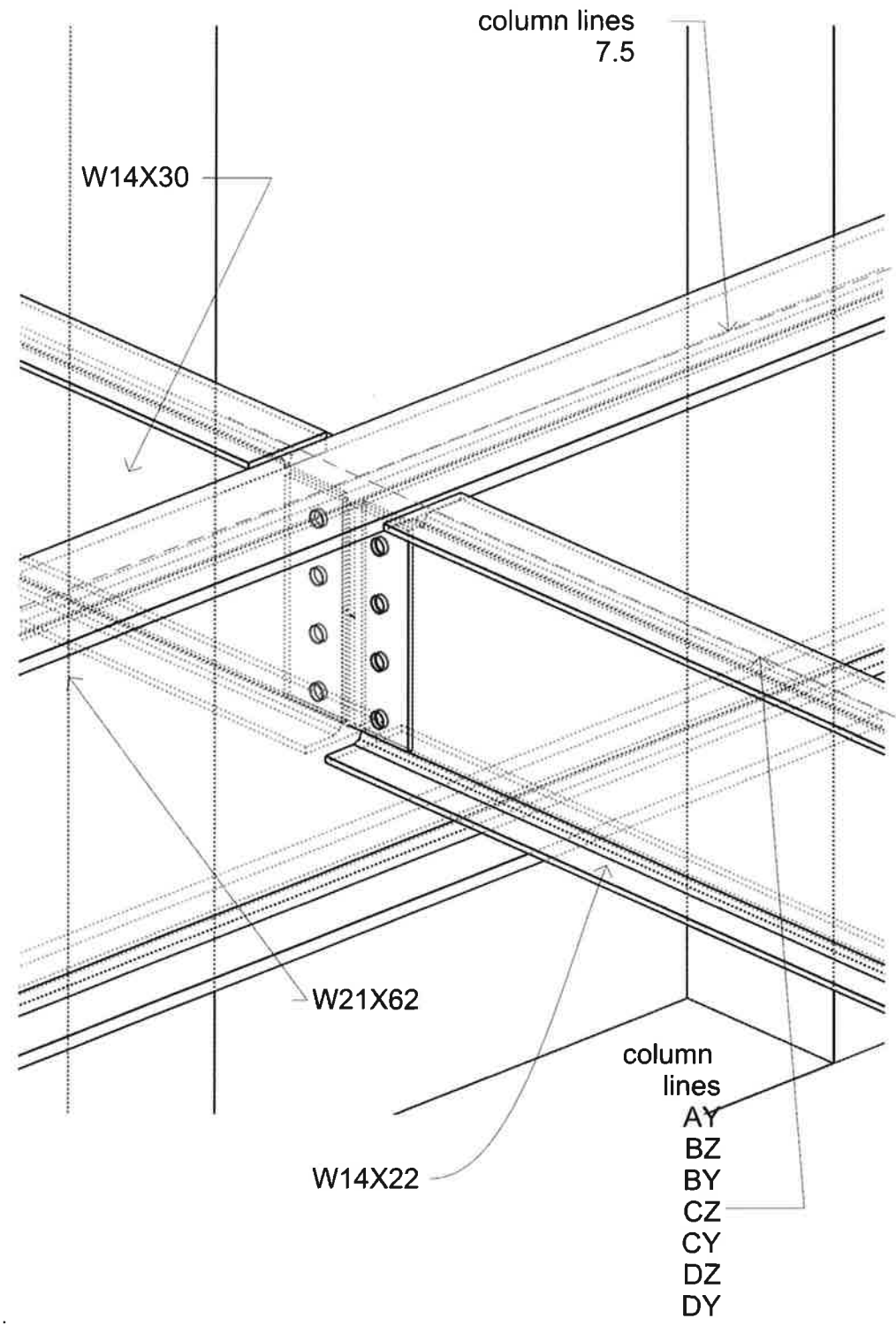
PERMIT SET FOUNDATION ONLY 16 JUN 2019

STRUCTURAL STEEL BEAM CONNECTIONS

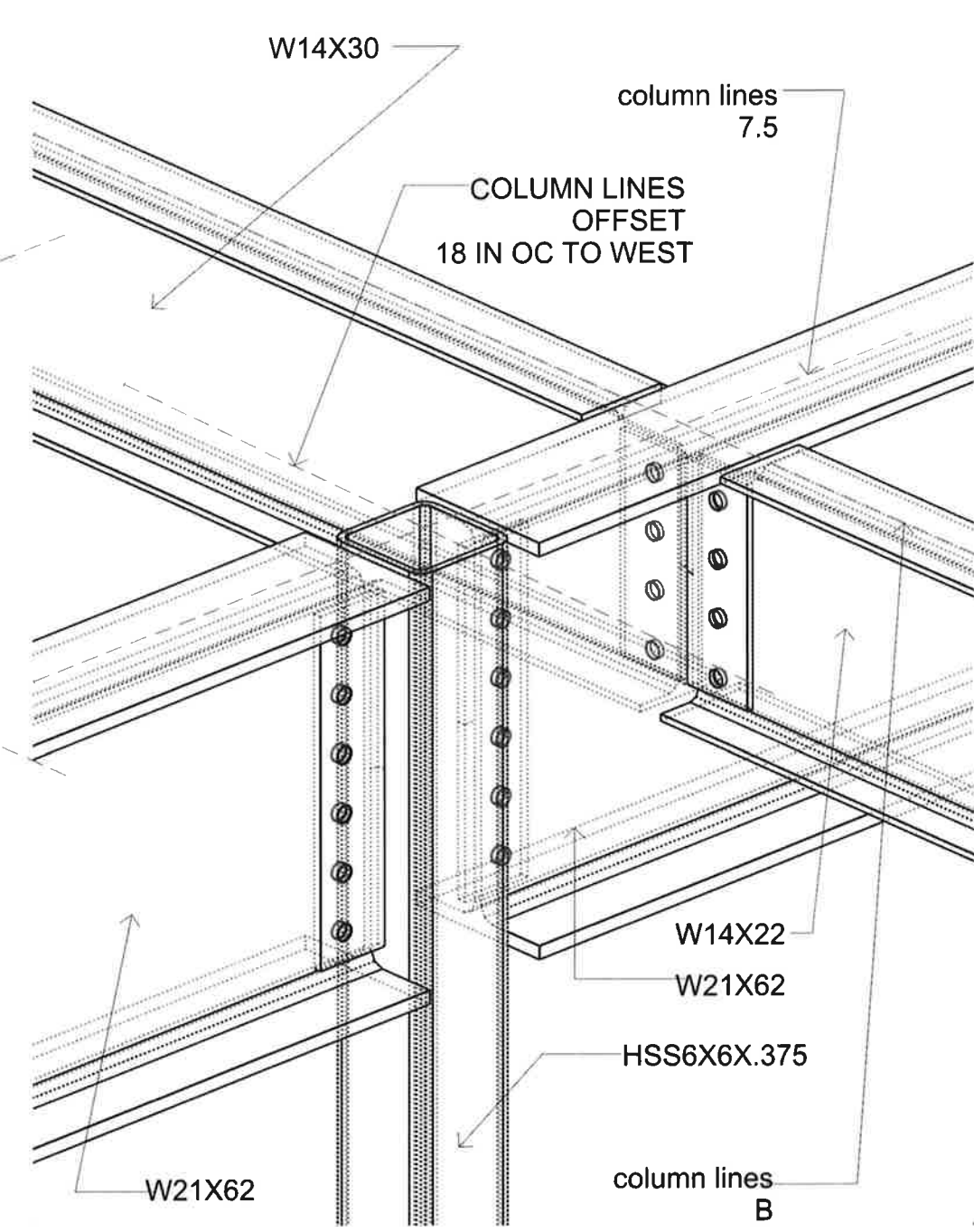
S8.16

767 NILE ST GOLDEN CO JEFFERSON COUNTY	H MANUFACTURING CO	KARIUS ARCHITECTURE LLC	PO BOX 125 DENVER CO 80201 303.393.6350 pk@karius.com	date 16 JUN 2019 REV xxx	(C) COPYRIGHT 2019
---	---------------------------	-------------------------	---	-----------------------------	--------------------

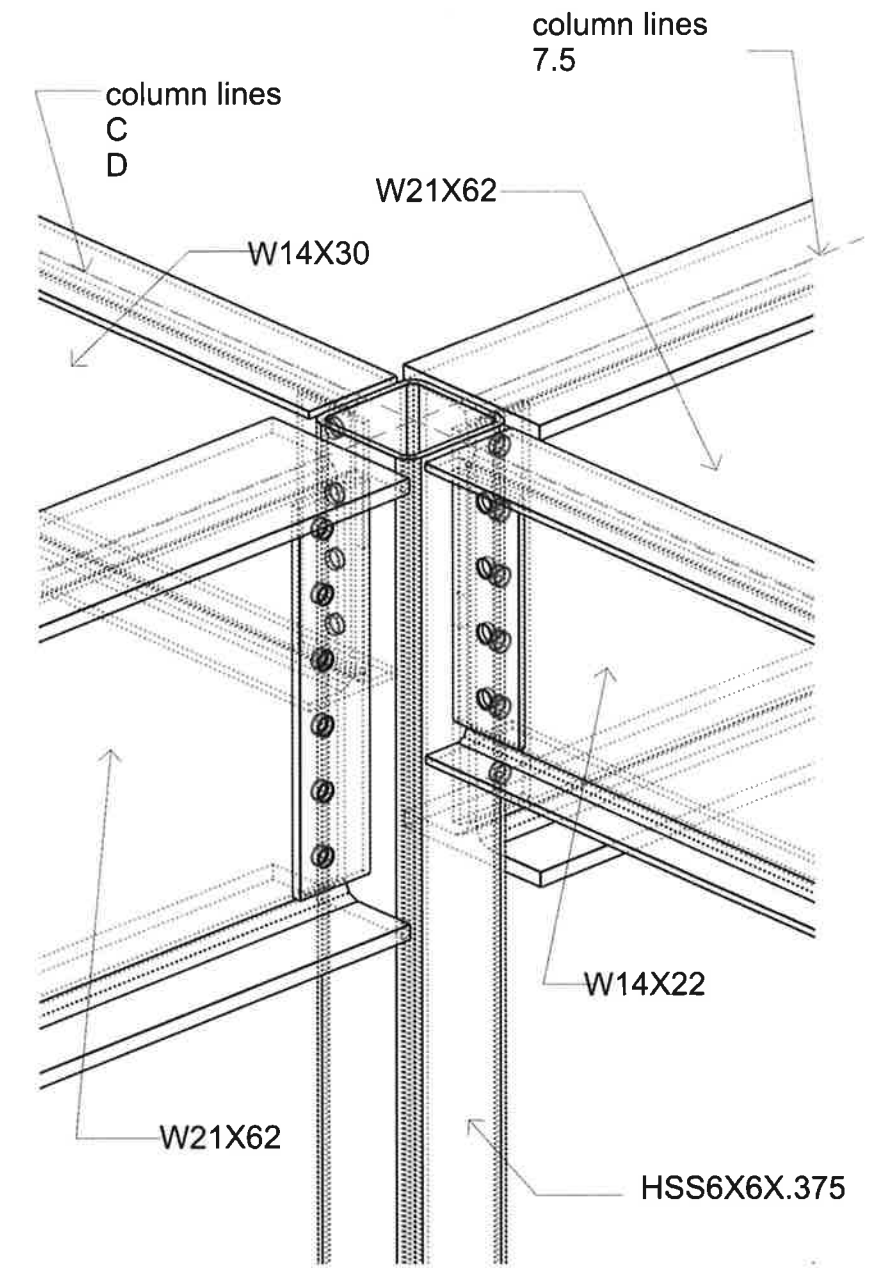
(c) COPYRIGHT KARIUSARCHITECTURE LLC. THESE DRAWINGS ARE PROPERTY OF THE ARCHITECT AND ARE INSTRUMENTS OF SERVICE. THEY CAN NOT BE COPIED OR REPRODUCED IN ANY MANNER WITHOUT WRITTEN CONSENT OF THE ARCHITECT.



CONNECTION U




CONNECTION V



CONNECTION W




 Monroe & Newell
 Engineers, Inc.
 STRUCTURAL ENGINEERS
 1400 GLENARM ST - 101
 DENVER CO 80202 303.623.4927

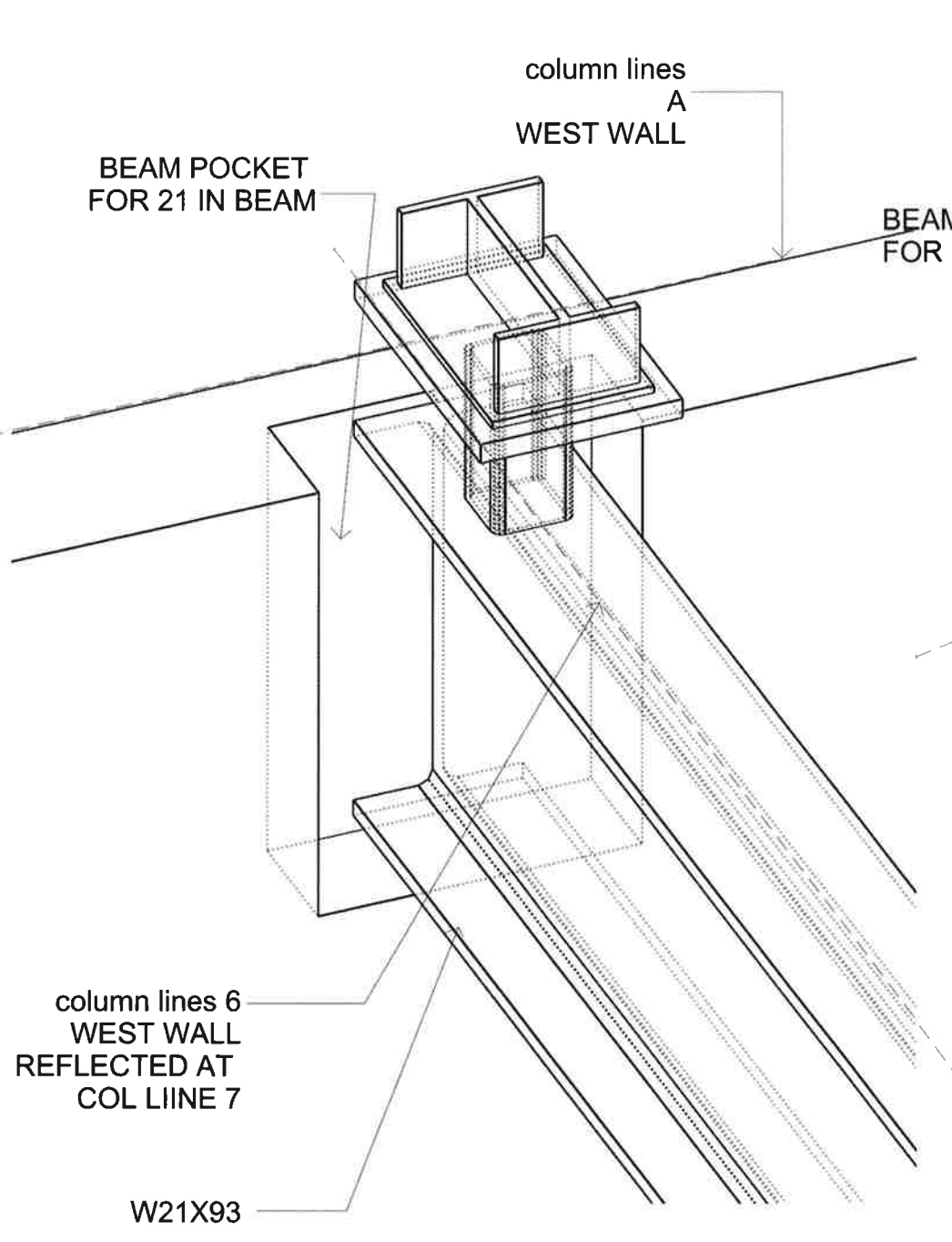
STRUCTURAL STEEL BEAM CONNECTIONS

\$8.17

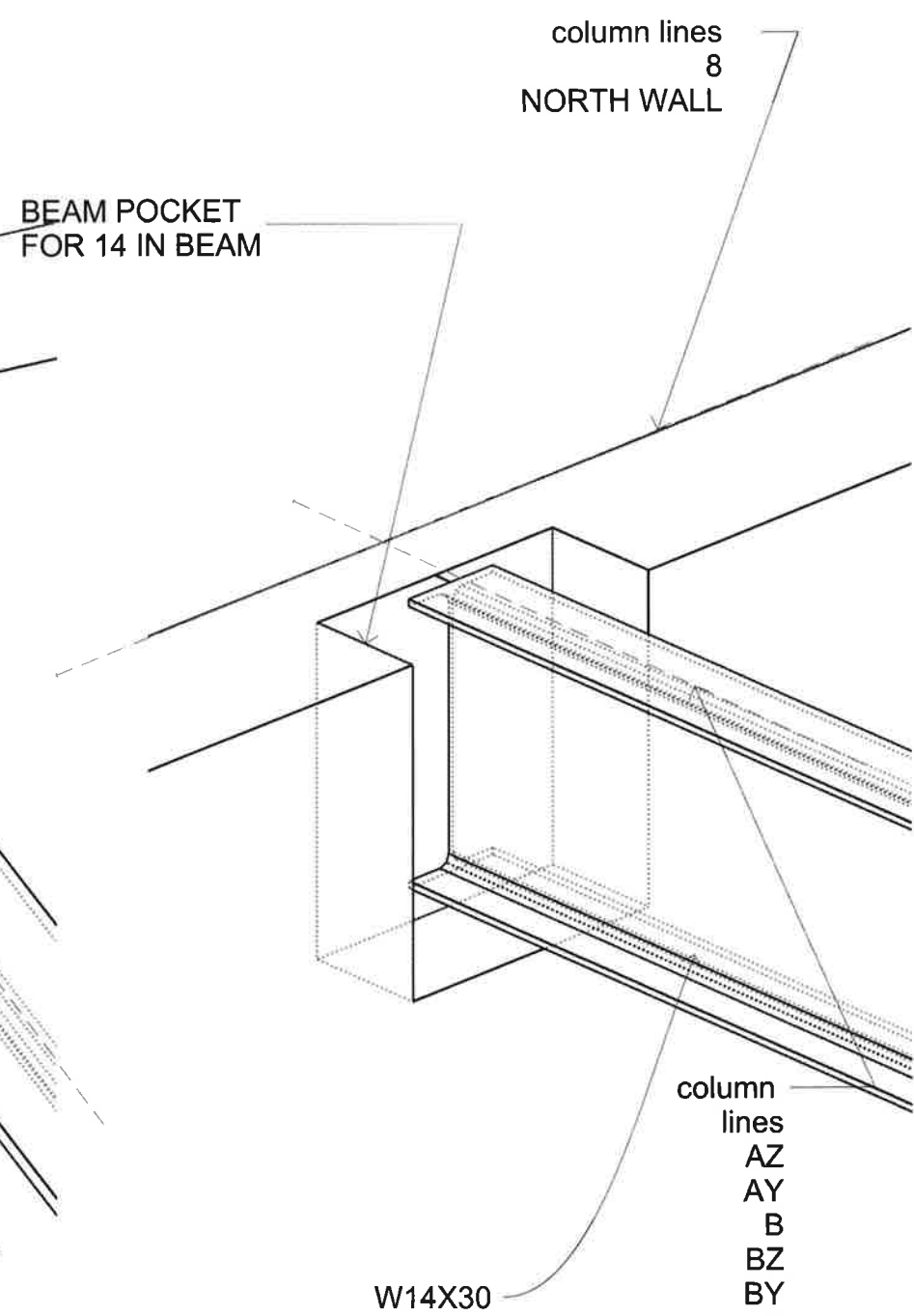
PERMIT SET FOUNDATION ONLY 16 JUN 2019

767 NILES ST GOLDEN CO JEFFERSON COUNTY	H MANUFACTURING CO	KARIUS ARCHITECTURE LLC	PO BOX 125 DENVER CO 80201	303.393.6350 pk@karius.com	date 16 JUN 2019 REV xxx	(c) COPYRIGHT 2019
--	---------------------------	-------------------------------	-------------------------------	-------------------------------	-----------------------------	--------------------

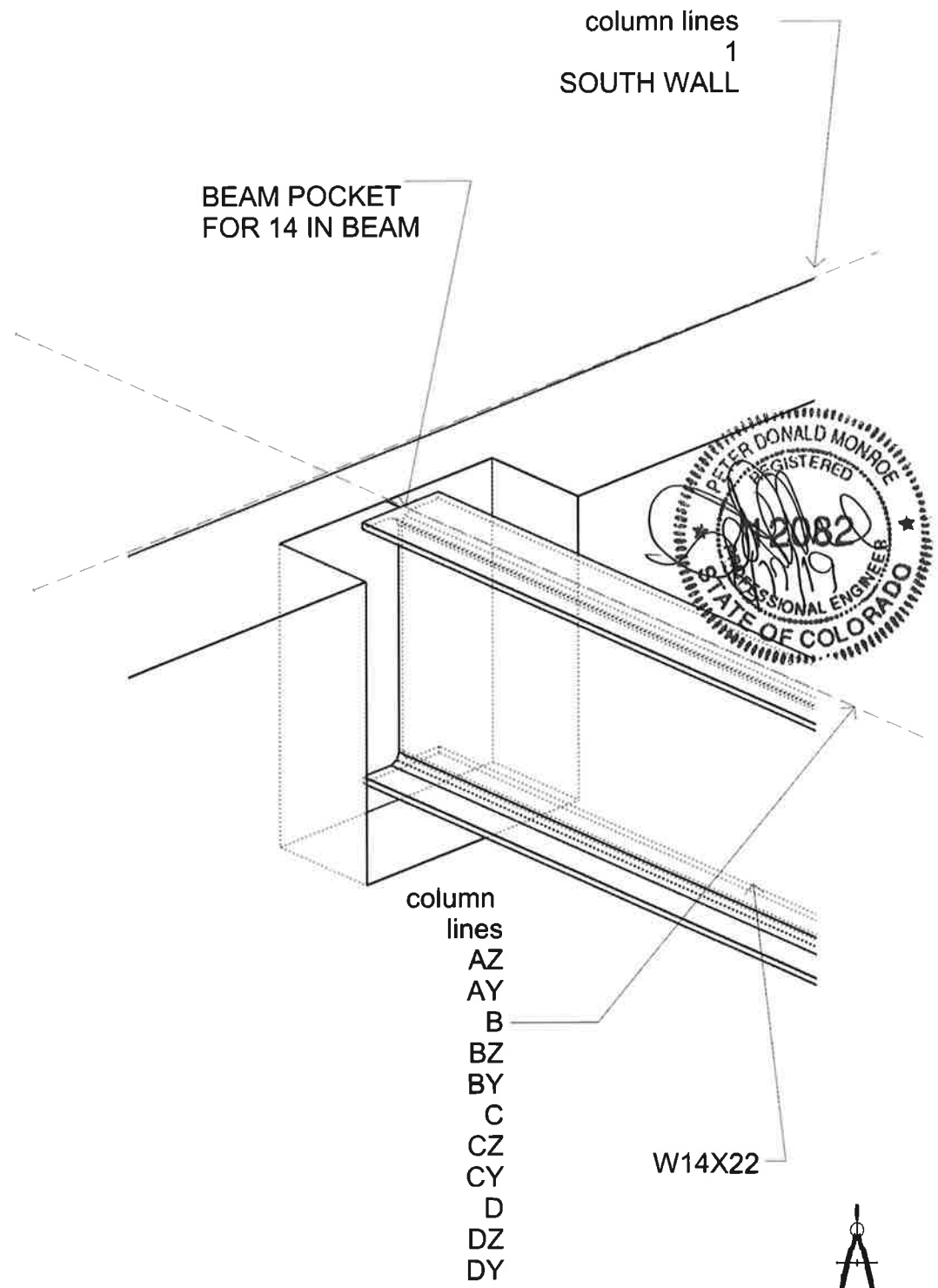
© COPYRIGHT KARIUS ARCHITECTURE LLC. THESE DRAWINGS ARE PROPERTY OF THE ARCHITECT AND ARE INSTRUMENTS OF SERVICE. THEY CAN NOT BE COPIED OR REPRODUCED IN ANY MANNER WITHOUT WRITTEN CONSENT OF THE ARCHITECT.




CONNECTION X



CONNECTION Y



CONNECTION Z

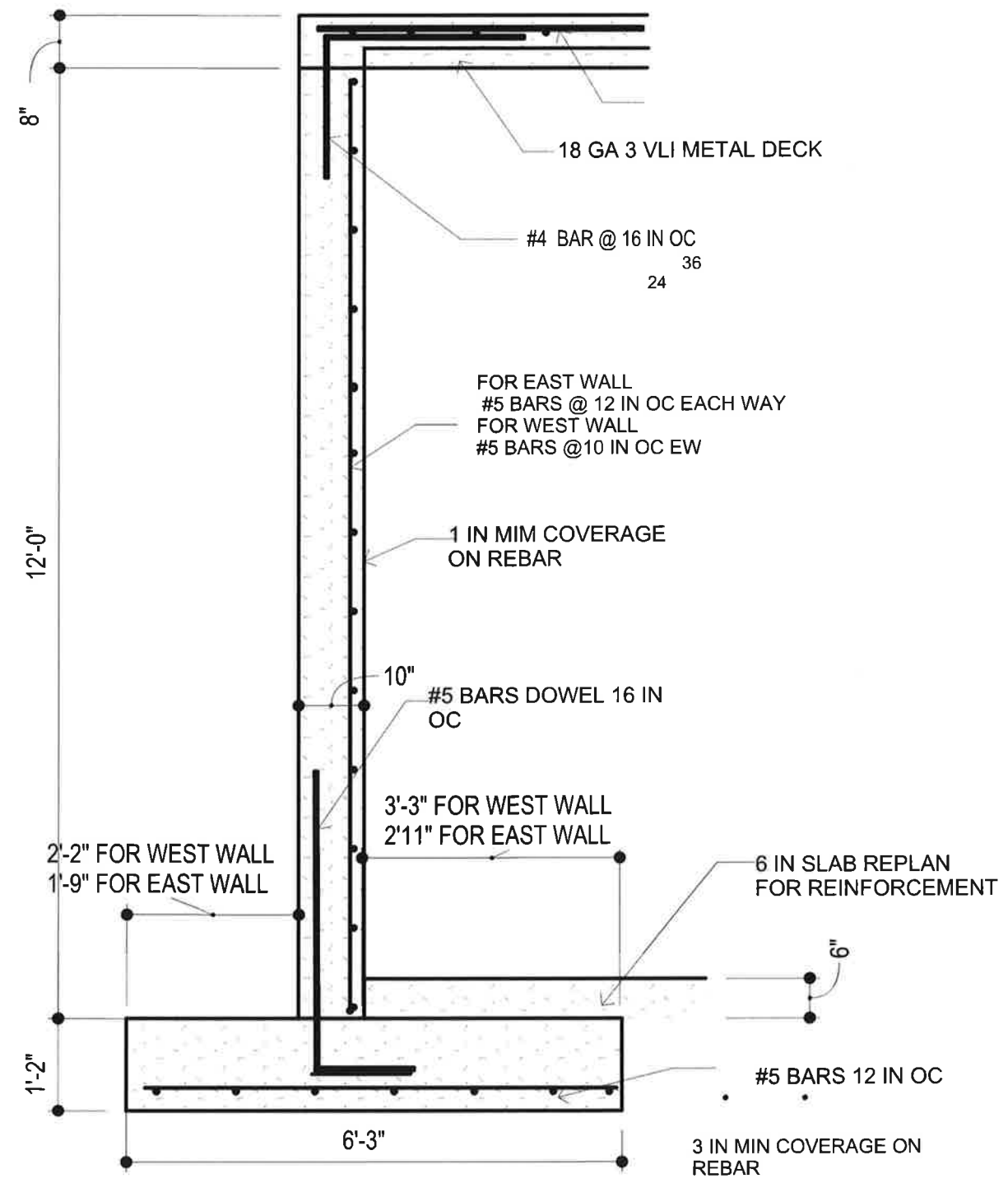

 Monroe & Newell
 Engineers, Inc.
 STRUCTURAL ENGINEERS
 1400 GLENARM ST - 101
 DENVER CO 80202 303.623.4927

STRUCTURAL STEEL BEAM CONNECTIONS

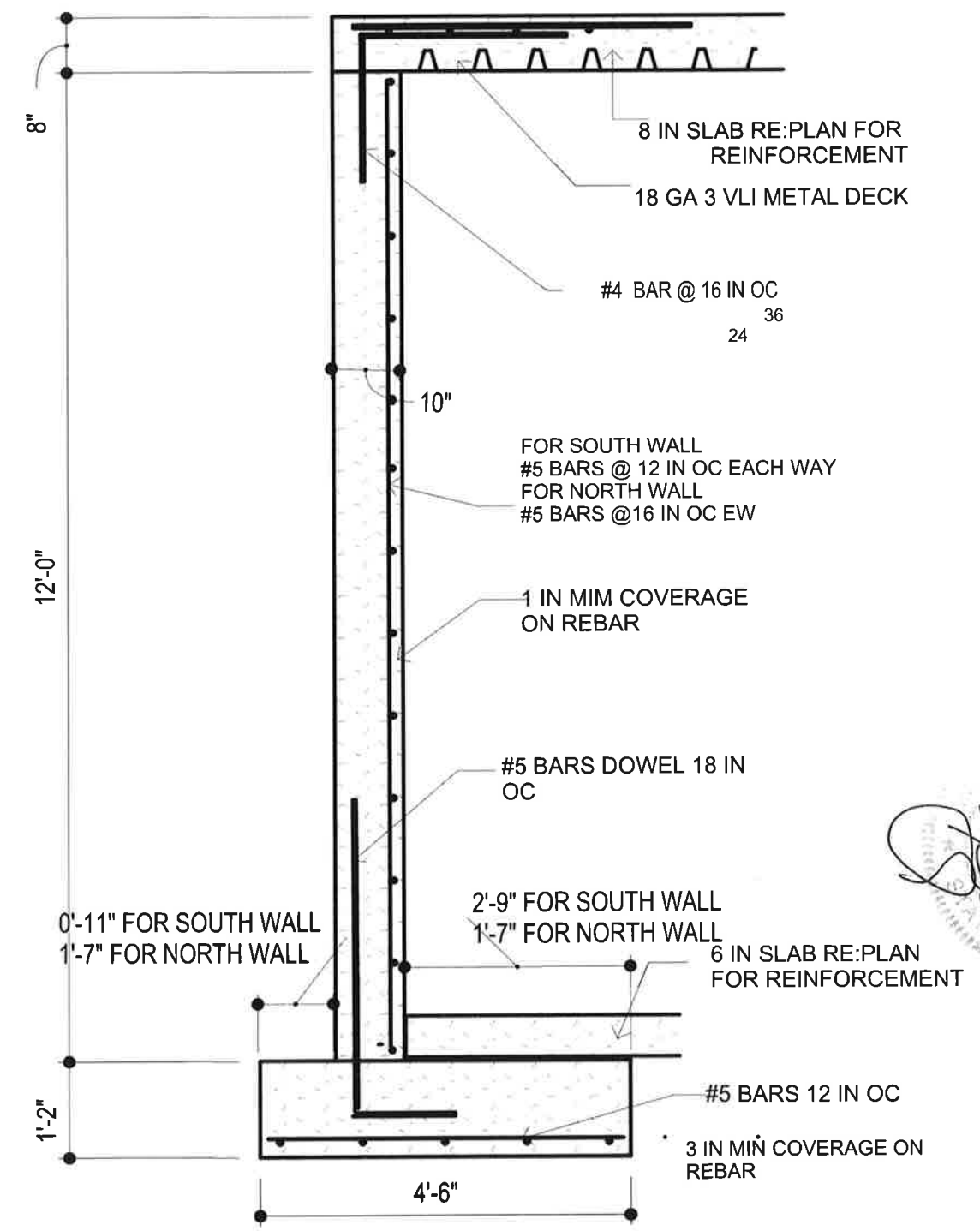
PERMIT SET FOUNDATION ONLY 16 JUN 2019

767 NILE ST GOLDEN CO JEFFERSON COUNTY	H MANUFACTURING CO	KARIUS ARCHITECTURE LLC	PO BOX 125 DENVER CO 80201	303.393.6350 pk@karius.com	date 16 JUN 2019 REV xxx	\$8.18 <small>(C) COPYRIGHT 2019</small>
---	---------------------------	-------------------------------	-------------------------------	-------------------------------	-----------------------------	--

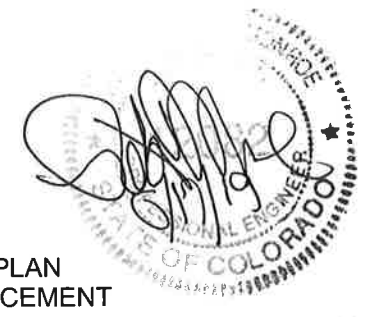
(C) COPYRIGHT KARIUSARCHITECTURE LLC. THESE DRAWINGS ARE PROPERTY OF THE ARCHITECT AND ARE INSTRUMENTS OF SERVICE. THEY CAN NOT BE COPIED OR REPRODUCED IN ANY MANNER WITHOUT WRITTEN CONSENT OF THE ARCHITECT.



SD 1 EAST WEST WALL TYP



SD 2 SOUTH NORTH WALL TYP STRUCTURAL DETAILS



Monroe & Newell
 Engineers, Inc.
 STRUCTURAL ENGINEERS
 1400 GLENARM ST - 101
 DENVER CO 80202 303.623.4927

PERMIT SET FOUNDATION ONLY 16 JUN 2019

767 NILES ST
GOLDEN CO JEFFERSON COUNTY

H MANUFACTURING CO

KARIUS
ARCHITECTURE
LLC

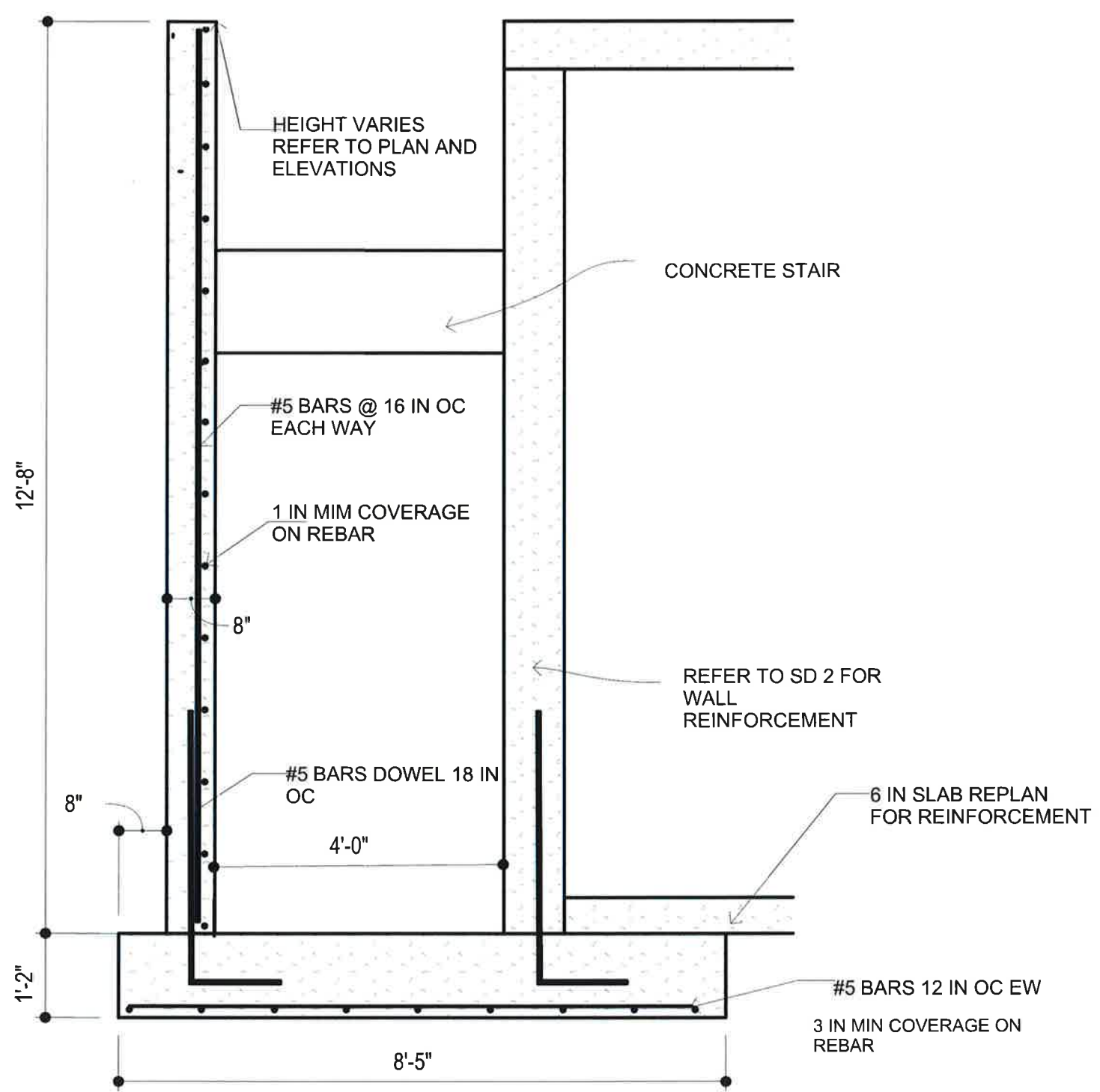
PO BOX 125 303.393.6350
DENVER CO 80201 pk@karius.com

date 16 JUN 2019
REV xxx

(C) COPYRIGHT 2019

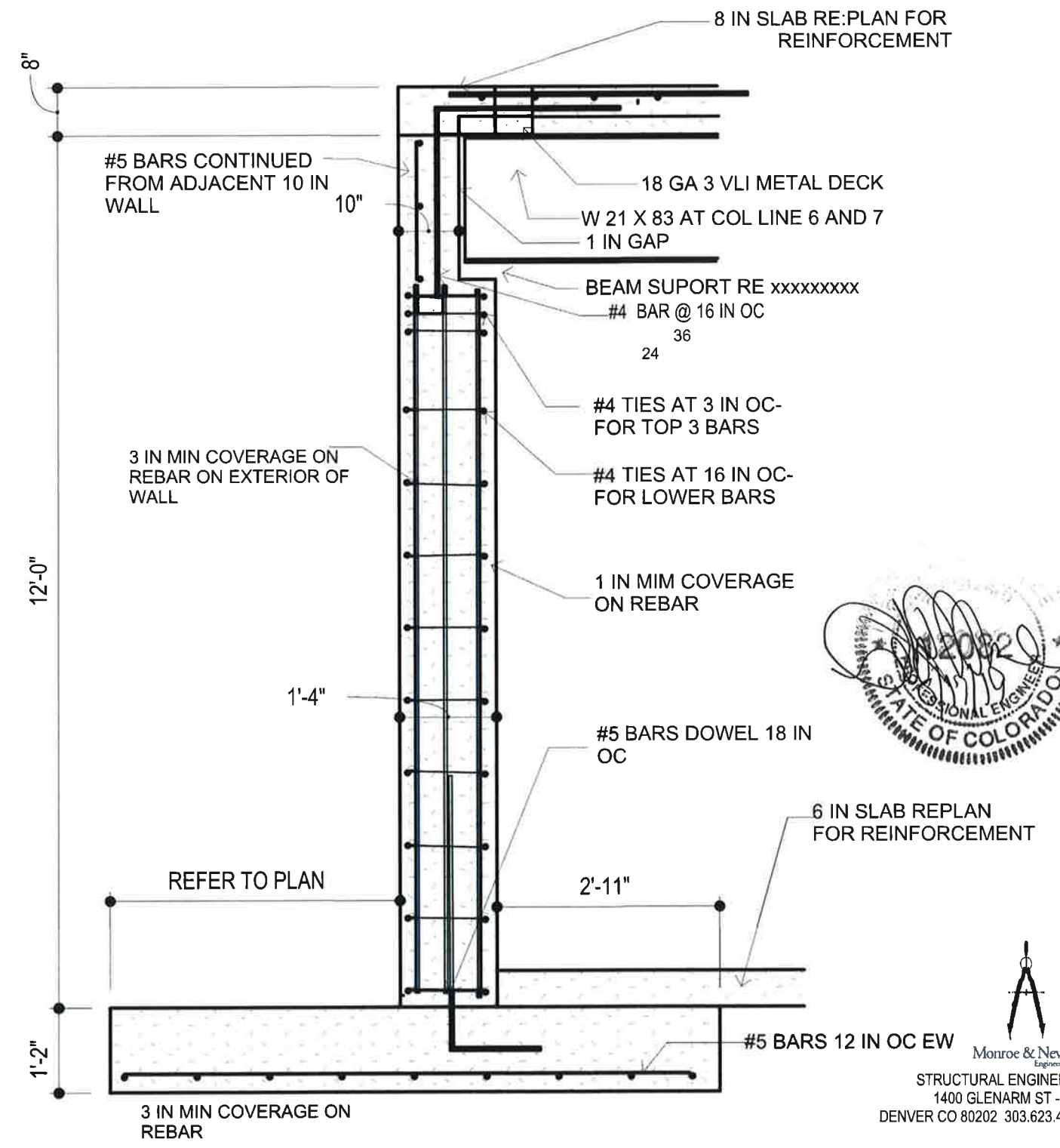
S8.21

(c) COPYRIGHT KARIUSARCHITECTURE LLC. THESE DRAWINGS ARE PROPERTY OF THE ARCHITECT AND ARE INSTRUMENTS OF SERVICE. THEY CAN NOT BE COPIED OR REPRODUCED IN ANY MANNER WITHOUT WRITTEN CONSENT OF THE ARCHITECT.

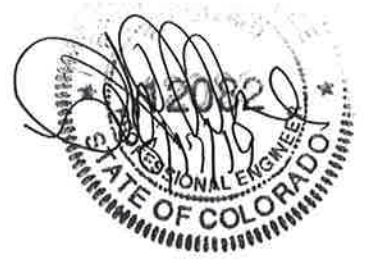


SD 3 NORTH SOUTH STAIR WALL

16 JUN 2019



SD 4 EAST WALL AT COL LINE 6 & 7 STRUCTURAL DETAILS



Monroe & Newell
 Engineers, Inc.
 STRUCTURAL ENGINEERS
 1400 GLENARM ST - 101
 DENVER CO 80202 303.623.4927

767 NILES ST
 GOLDEN CO JEFFERSON COUNTY

H MANUFACTURING CO

KARIUS
 ARCHITECTURE
 LLC

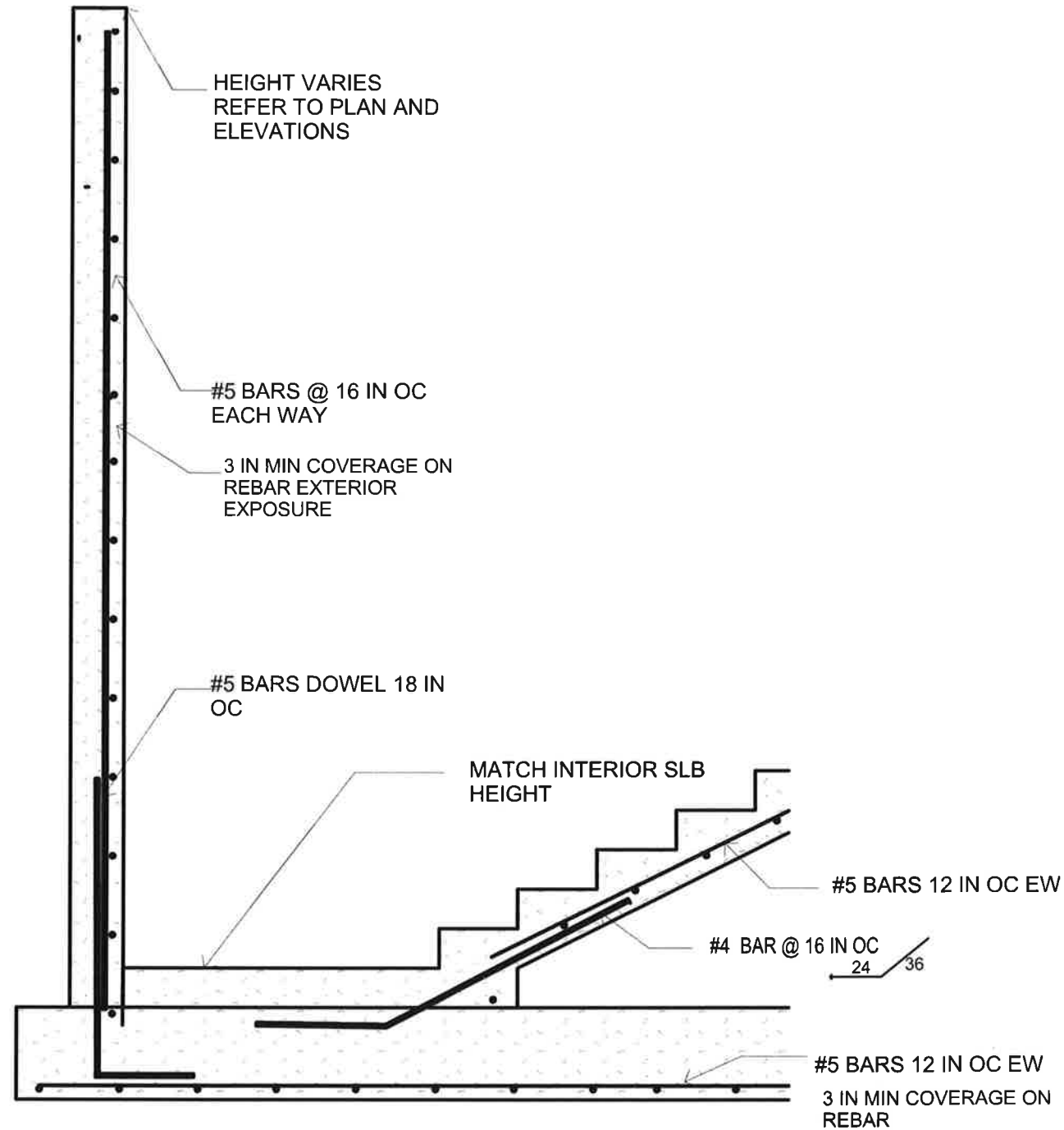
PO BOX 125 303.393.6350
 DENVER CO 80201 pk@karius.com

date 16 JUN 2019
 REV xxx

\$8.22

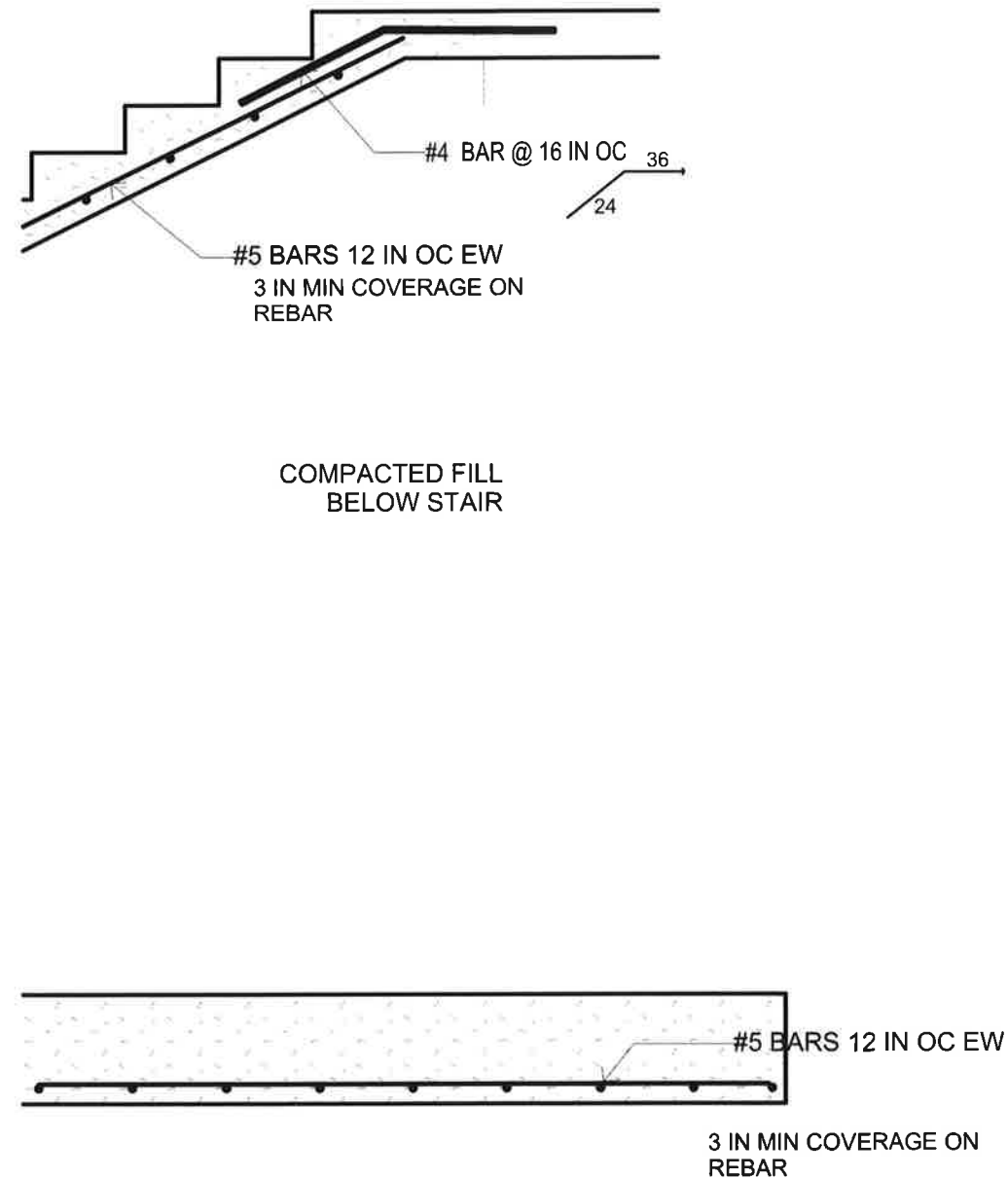
(C) COPYRIGHT 2019

(c) COPYRIGHT KARIUSARCHITECTURE LLC. THESE DRAWINGS ARE PROPERTY OF THE ARCHITECT AND ARE INSTRUMENTS OF SERVICE. THEY CAN NOT BE COPIED OR REPRODUCED IN ANY MANNER WITHOUT WRITTEN CONSENT OF THE ARCHITECT.



SD 5 STAIR AND WALL

PERMIT SET FOUNDATION ONLY 16 JUN 2019



SD 6 STAIR TOP

STRUCTURAL DETAILS



Monroe & Newell
 ENGINEERS, PC
 STRUCTURAL ENGINEERS
 1400 GLENARM ST - 101
 DENVER CO 80202 303.623.4927

767 NILE ST
GOLDEN CO JEFFERSON COUNTY

H MANUFACTURING CO

KARIUS
ARCHITECTURE
LLC

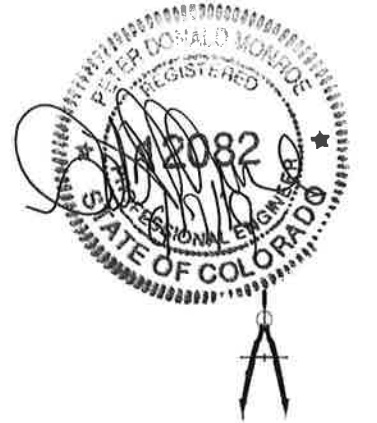
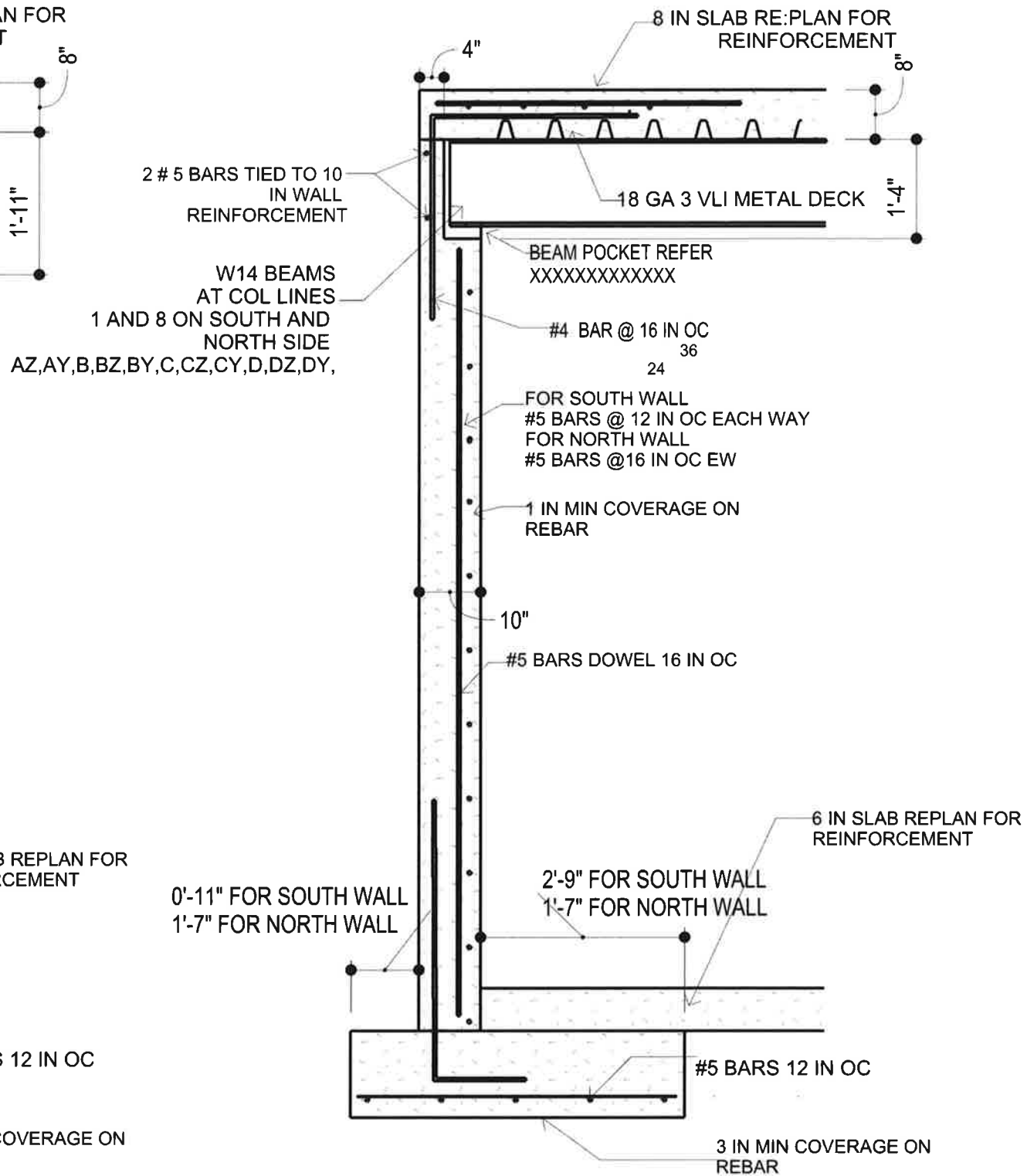
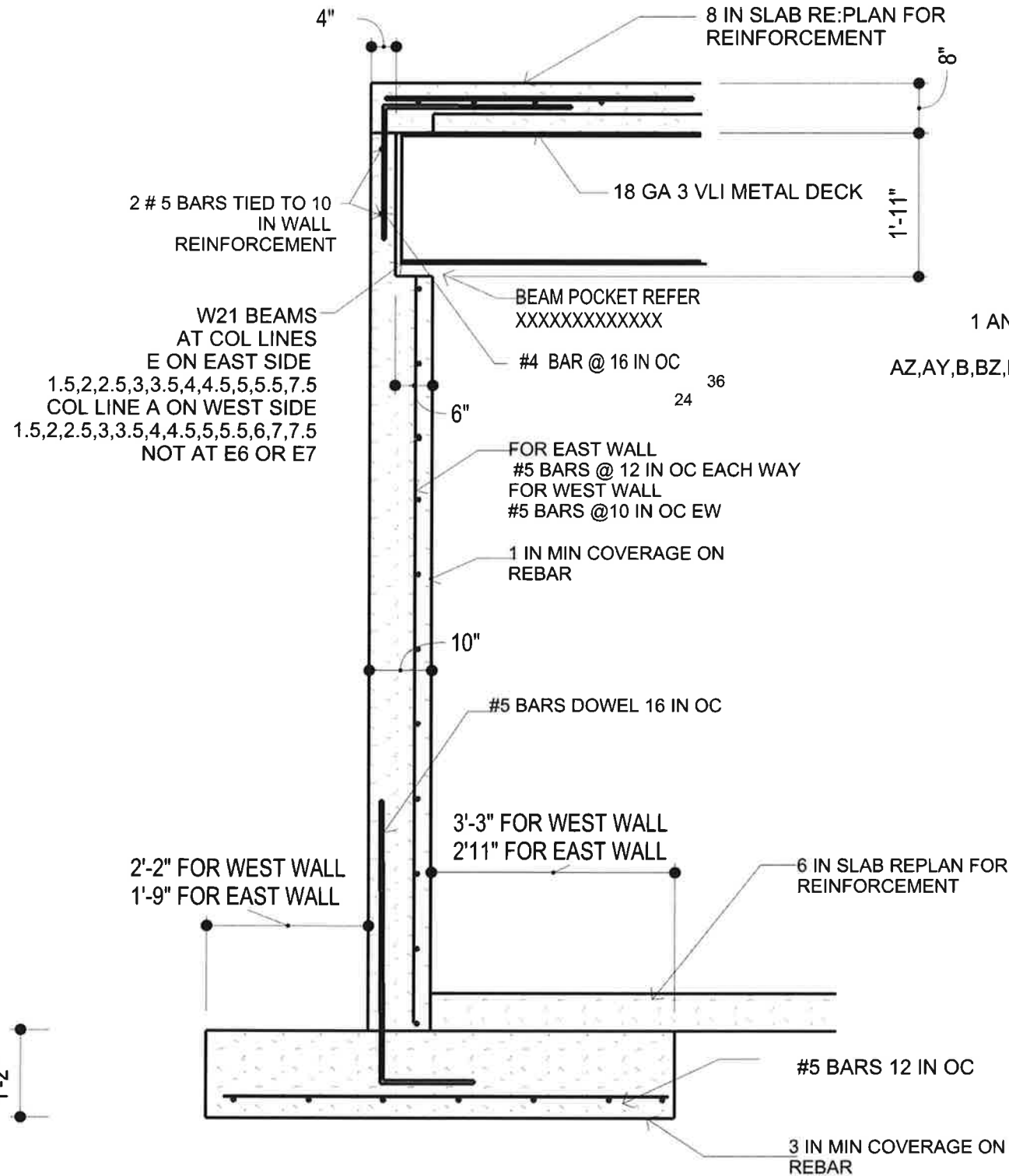
PO BOX 125 DENVER CO 80201
303.393.6350
pk@karius.com

date 16 JUN 2019
REV xxx

(C) COPYRIGHT 2019

\$8.23

(C) COPYRIGHT KARIUSARCHITECTURE LLC. THESE DRAWINGS ARE PROPERTY OF THE ARCHITECT AND ARE INSTRUMENTS OF SERVICE. THEY CAN NOT BE COPIED OR REPRODUCED IN ANY MANNER WITHOUT WRITTEN CONSENT OF THE ARCHITECT.



Monroe & Newell
 Engineers, Inc.
 STRUCTURAL ENGINEERS
 1400 GLENARM ST - 101
 DENVER CO 80202 303.623.4927

SD 7 EAST WEST BEAM POCKET

SD 8 SOUTH NORTH BEAM POCKET STRUCTURAL DETAILS

PERMIT SET FOUNDATION ONLY 16 JUN 2019

767 NILES ST
GOLDEN CO JEFFERSON COUNTY

H MANUFACTURING CO

KARIUS
ARCHITECTURE
LLC

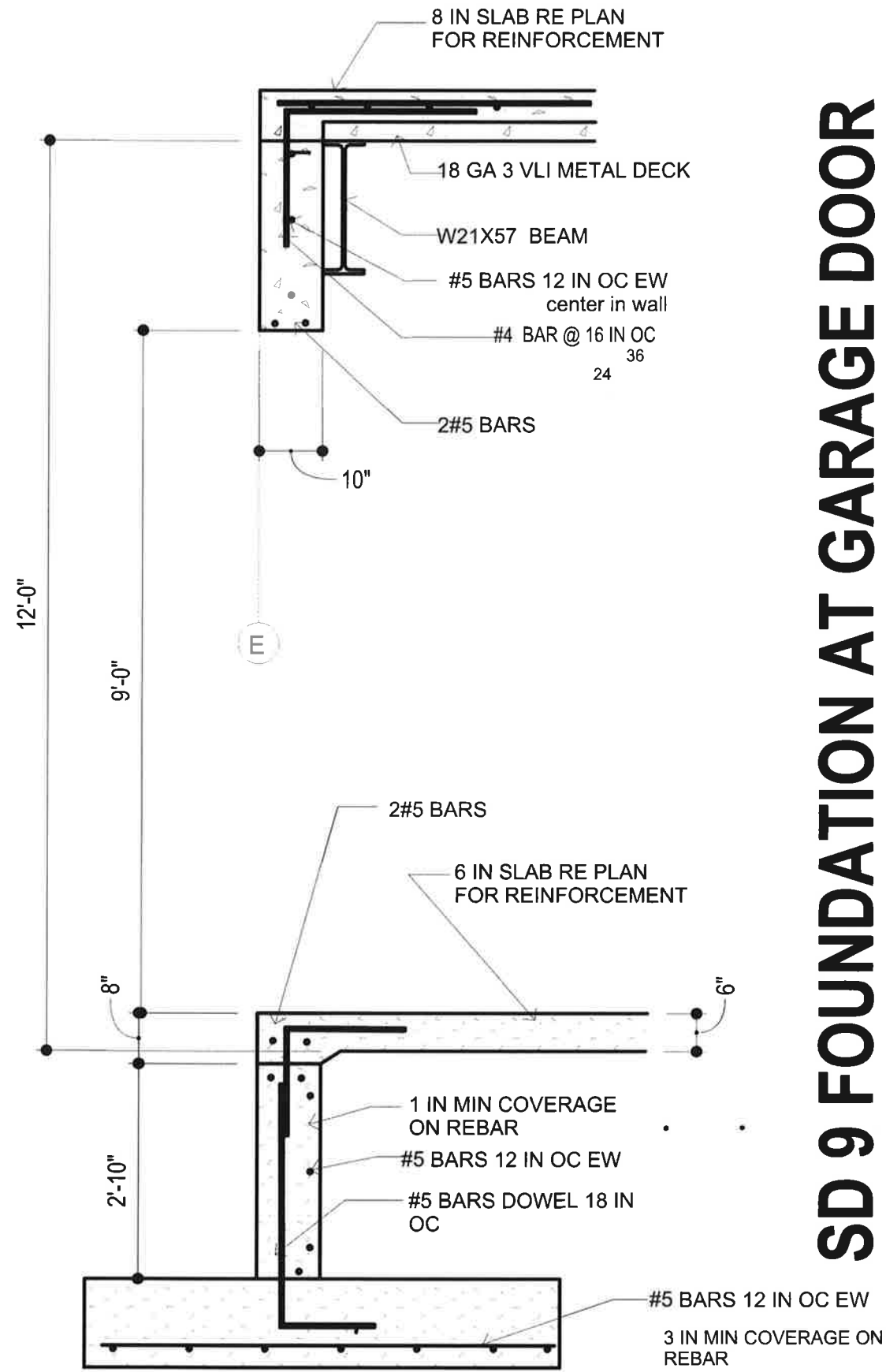
PO BOX 125 303.393.6350
DENVER CO 80201 pk@karius.com

date 16 JUN 2019
REV xxx

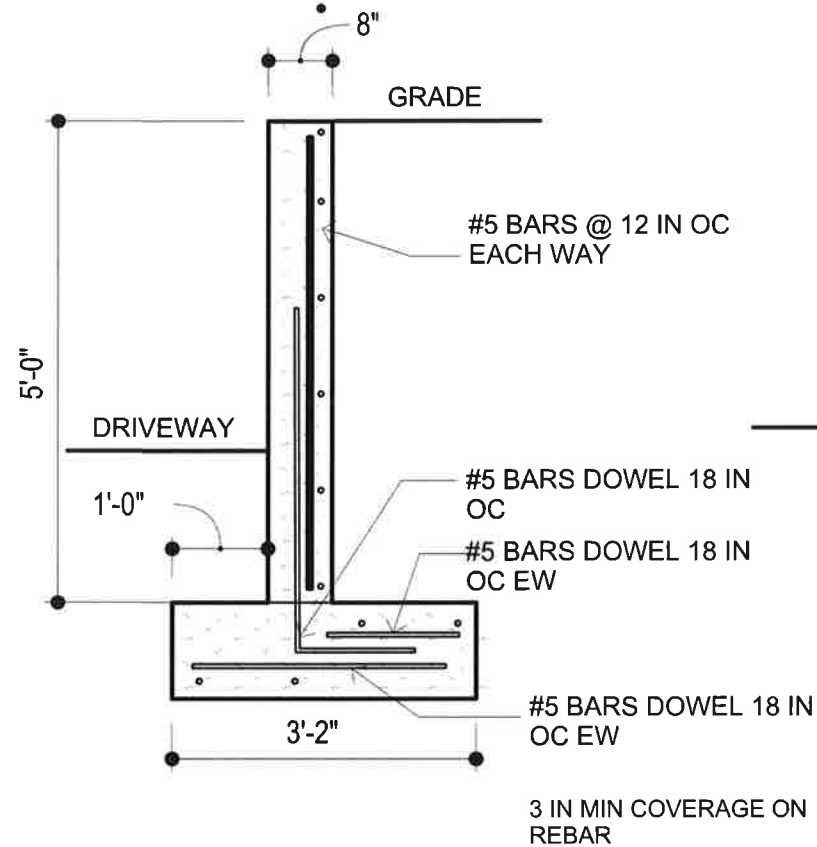
S8.24

(C) COPYRIGHT 2019

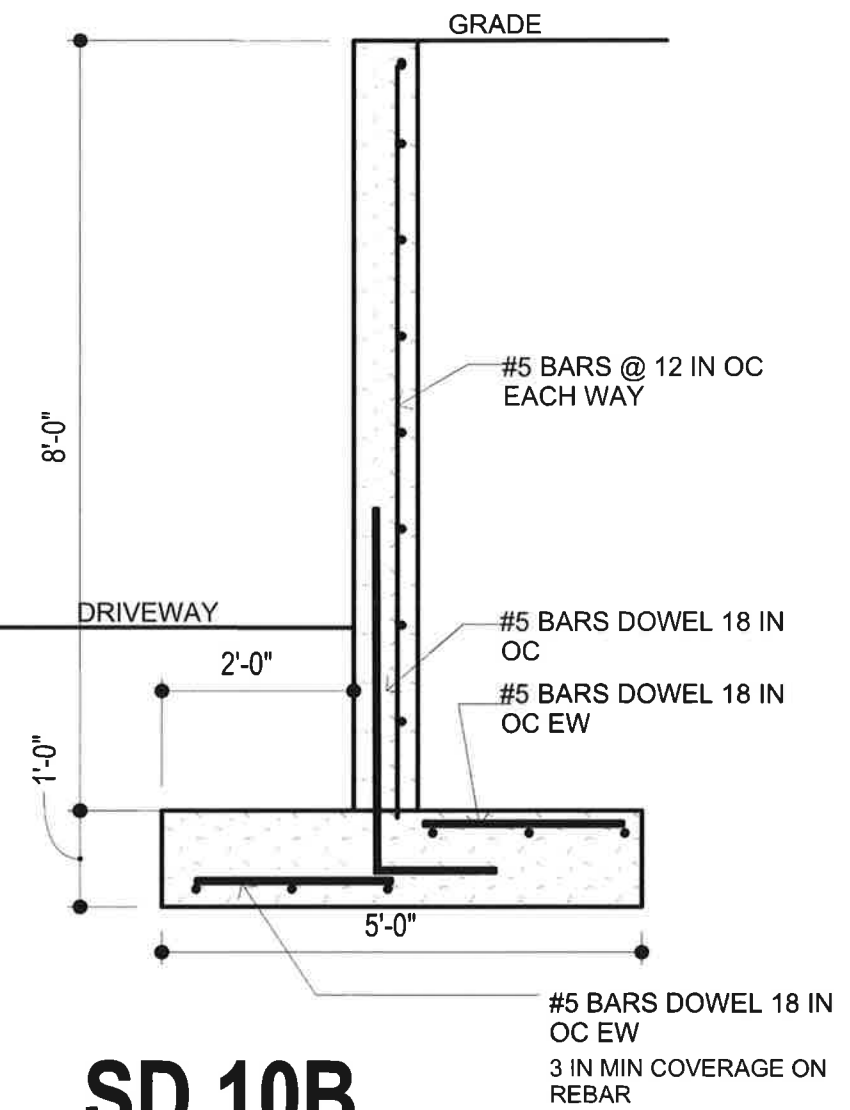
(C) COPYRIGHT KARIUSARCHITECTURE LLC. THESE DRAWINGS ARE PROPERTY OF THE ARCHITECT AND ARE INSTRUMENTS OF SERVICE. THEY CAN NOT BE COPIED OR REPRODUCED IN ANY MANNER WITHOUT WRITTEN CONSENT OF THE ARCHITECT.



SD 9 FOUNDATION AT GARAGE DOOR



SD 10A RETAINING WALL DRIVEWAY



SD 10B RETAINING WALL DRIVEWAY



Monroe & Newell
 Engineers, Inc.
 STRUCTURAL ENGINEERS
 1400 GLENARM ST - 101
 DENVER CO 80202 303.623.4927

PERMIT SET FOUNDATION ONLY 16 JUN 2019

STRUCTURAL DETAILS

S8.25

767 NILES ST
 GOLDEN CO JEFFERSON COUNTY

H MANUFACTURING CO

KARIUS
 ARCHITECTURE
 LLC

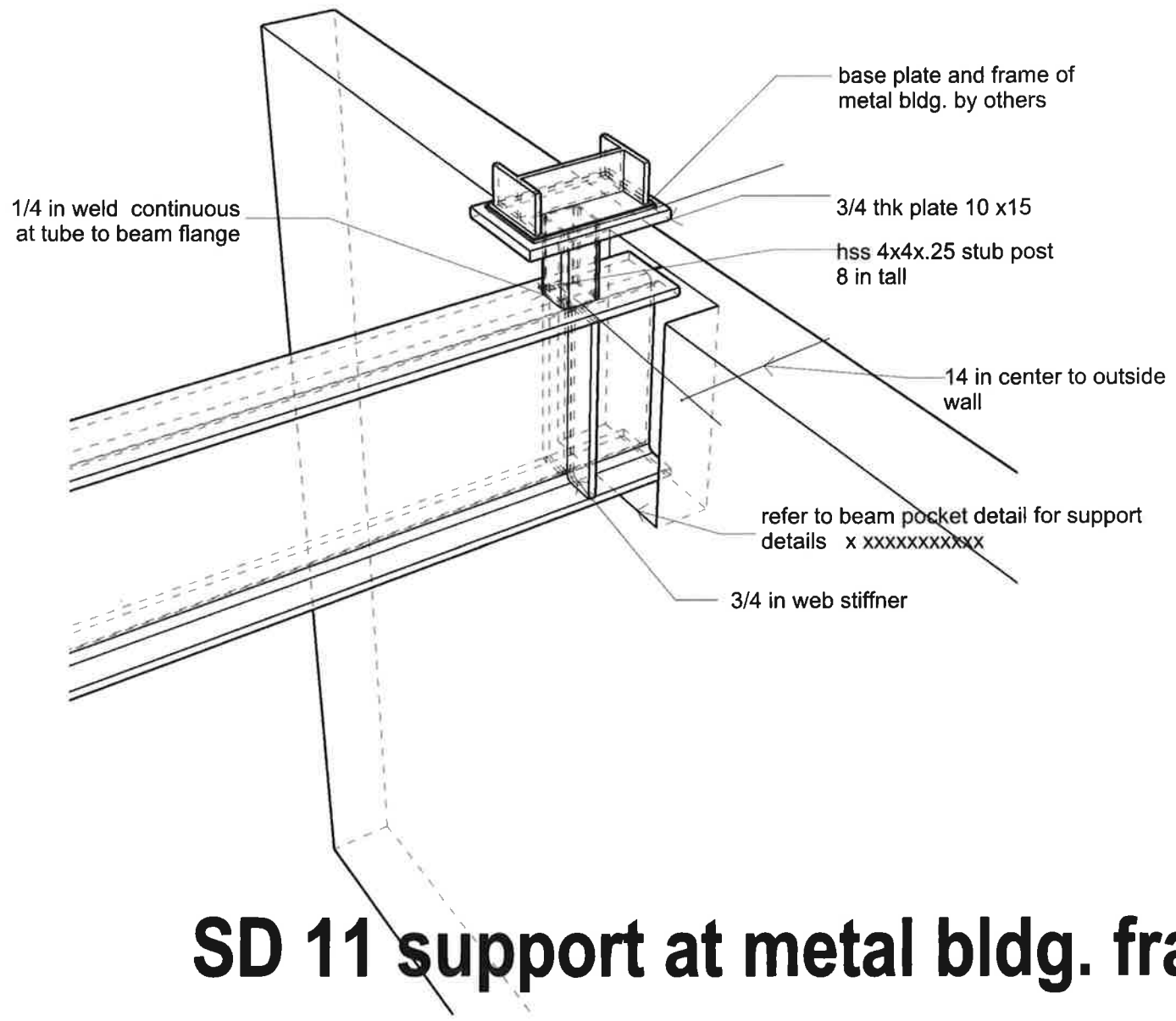
PO BOX 125 303.393.6350
 DENVER CO 80201 pk@karius.com

date 16 JUN 2019
 REV xxx

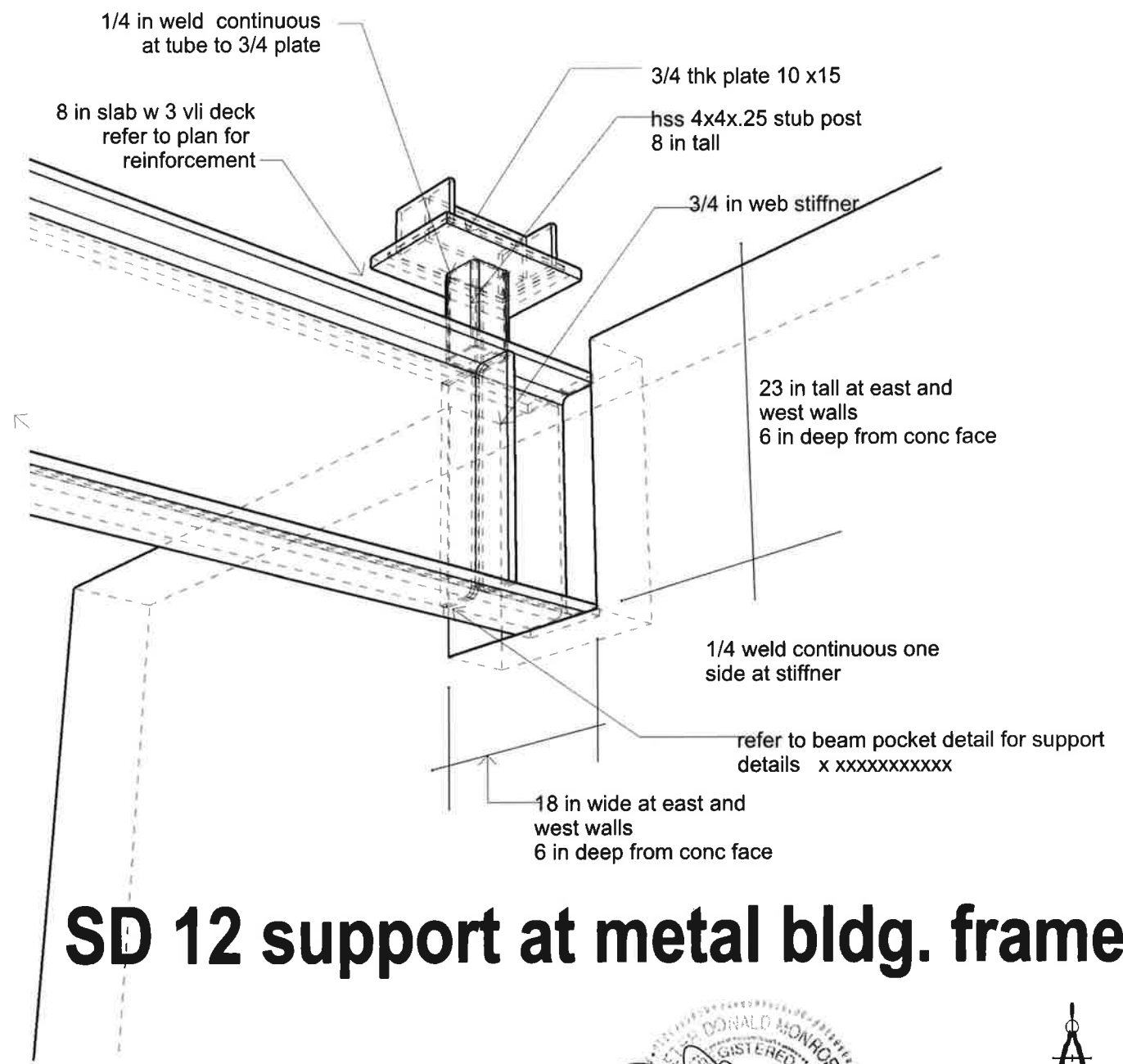
(C) COPYRIGHT 2019

(c) COPYRIGHT KARIUS ARCHITECTURE LLC. THESE DRAWINGS ARE PROPERTY OF THE ARCHITECT AND ARE INSTRUMENTS OF SERVICE. THEY CAN NOT BE COPIED OR REPRODUCED IN ANY MANNER WITHOUT WRITTEN CONSENT OF THE ARCHITECT.

typical at column lines
 2A, 3A, 4A, 5A, 6A, 7A ONE WEST SIDE
 2E, 3E, 4E, 5E
 ON EAST SIDE REFER TO SD 13 FOR
 6E AND 7E SIM CONDITIONS



SD 11 support at metal bldg. frame



SD 12 support at metal bldg. frame



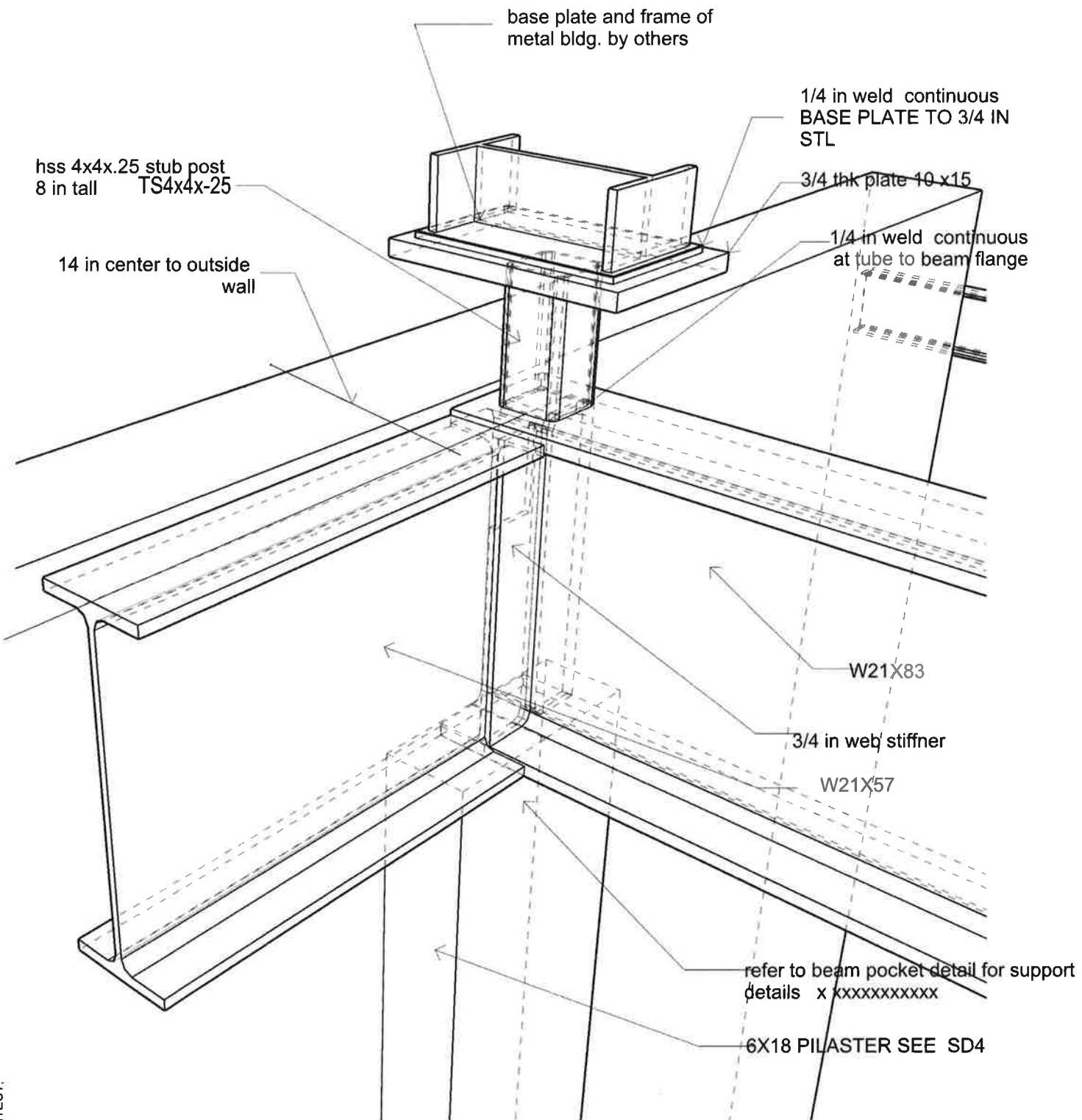

 Monroe & Newell
 ENGINEERS, INC.
 STRUCTURAL ENGINEERS
 1400 GLENARM ST - 101
 DENVER CO 80202 303.623.4927

PERMIT SET FOUNDATION ONLY 16 JUN 2019

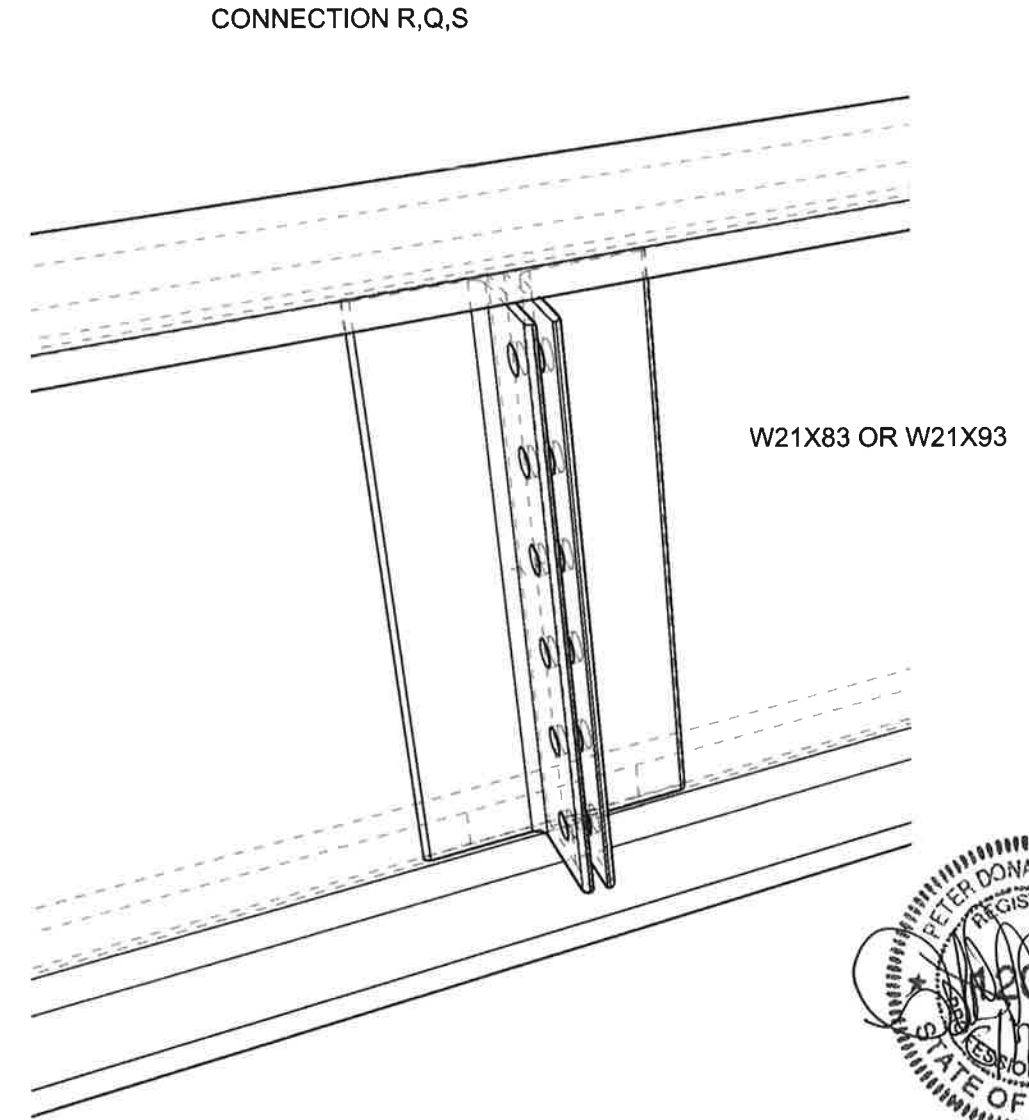
STRUCTURAL DETAILS

767 NILE ST GOLDEN CO JEFFERSON COUNTY	H MANUFACTURING CO	KARIUS ARCHITECTURE LLC	PO BOX 125 303.393.6350 DENVER CO 80201 pk@karius.com	date 16 JUN 2019 REV xxx	\$8.26 <small>(C) COPYRIGHT 2019</small>
---	---------------------------	-------------------------------	--	-----------------------------	--

(C) COPYRIGHT KARIUSARCHITECTURE LLC. THESE DRAWINGS ARE PROPERTY OF THE ARCHITECT AND ARE INSTRUMENTS OF SERVICE. THEY CAN NOT BE COPIED OR REPRODUCED IN ANY MANNER WITHOUT WRITTEN CONSENT OF THE ARCHITECT.



SD 13 support at metal bldg. frame



**SD 14 W21 TO W21 CONNECTION.
frame**



Monroe & Newell
 Engineers, Inc.
 STRUCTURAL ENGINEERS
 1400 GLENARM ST - 101
 DENVER CO 80202 303.623.4927

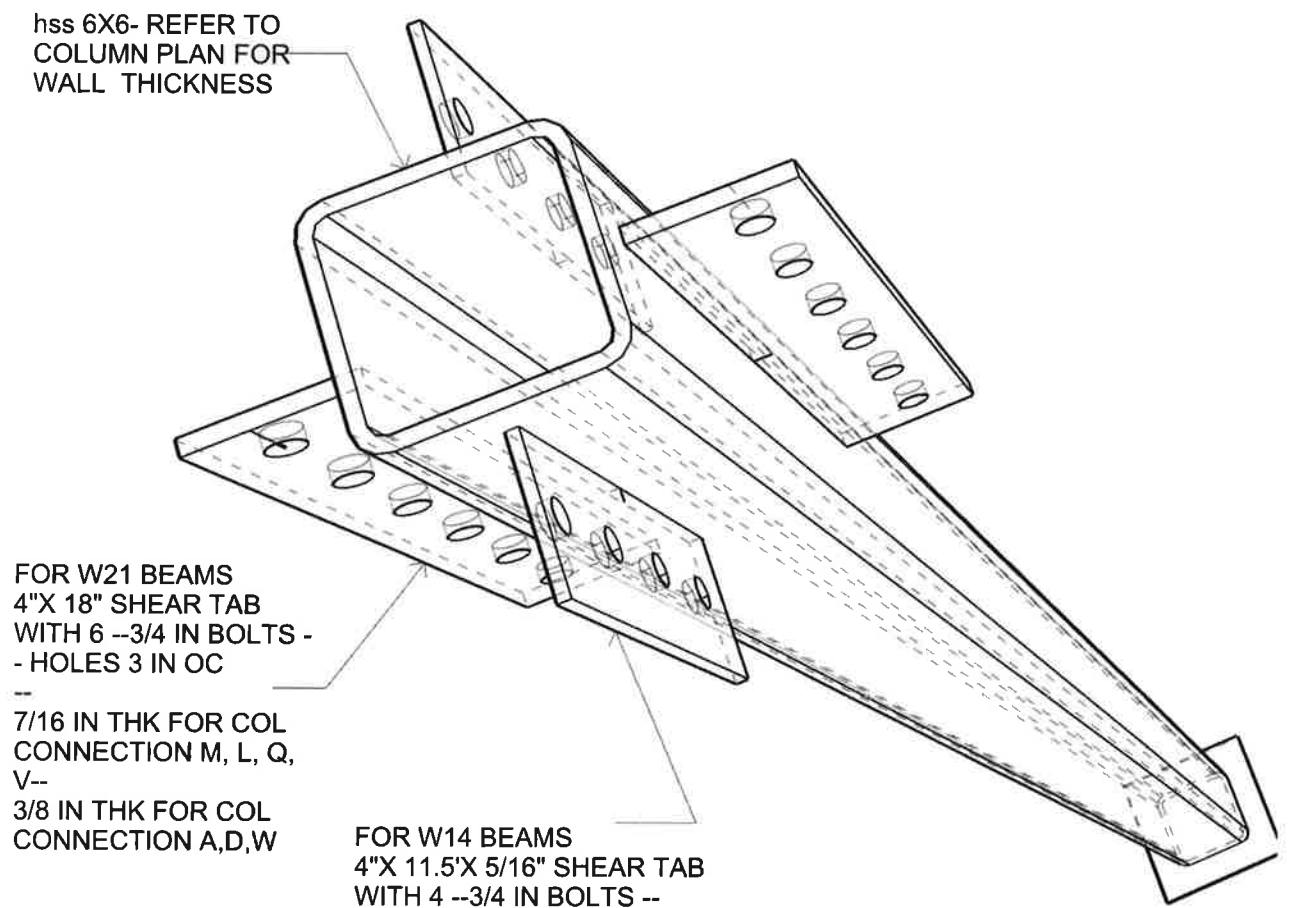
PERMIT SET FOUNDATION ONLY 16 JUN 2019

STRUCTURAL DETAILS

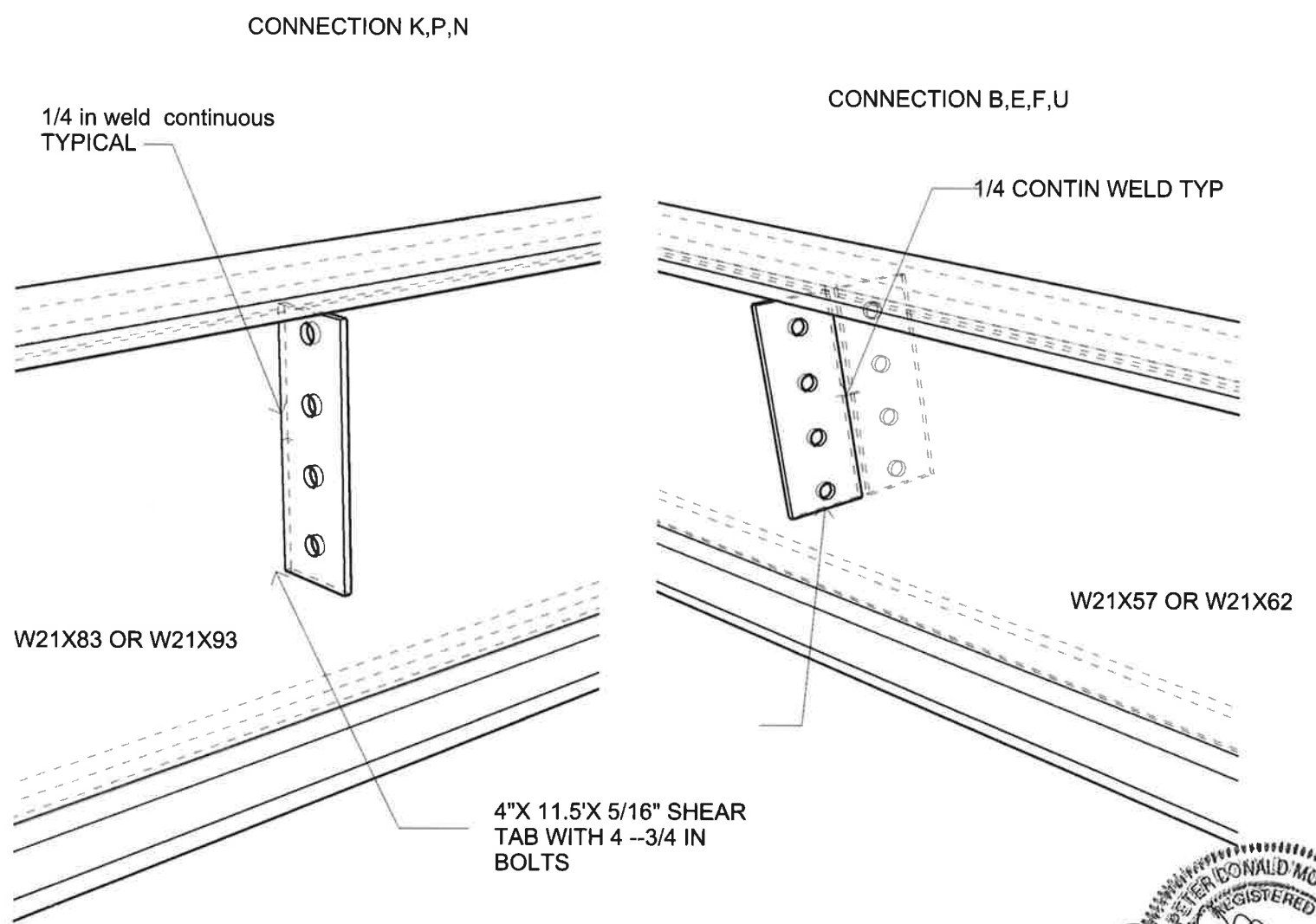
767 NILES ST GOLDEN CO JEFFERSON COUNTY	H MANUFACTURING CO	KARIUS ARCHITECTURE LLC	PO BOX 125 DENVER CO 80201	303.393.6350 pk@karius.com	date 16 JUN 2019 REV xxx	\$8.27
--	---------------------------	-------------------------------	-------------------------------	-------------------------------	-----------------------------	---------------

(C) COPYRIGHT 2019

(c) COPYRIGHT KARIUSARCHITECTURE LLC. THESE DRAWINGS ARE PROPERTY OF THE ARCHITECT AND ARE INSTRUMENTS OF SERVICE. THEY CAN NOT BE COPIED OR REPRODUCED IN ANY MANNER WITHOUT WRITTEN CONSENT OF THE ARCHITECT.



SD 15 COLUMN TO BEAM CONNECTION



SD 16 W21 TO W14 CONNECTION

SD 17 W21 TO W14 CONNECTION



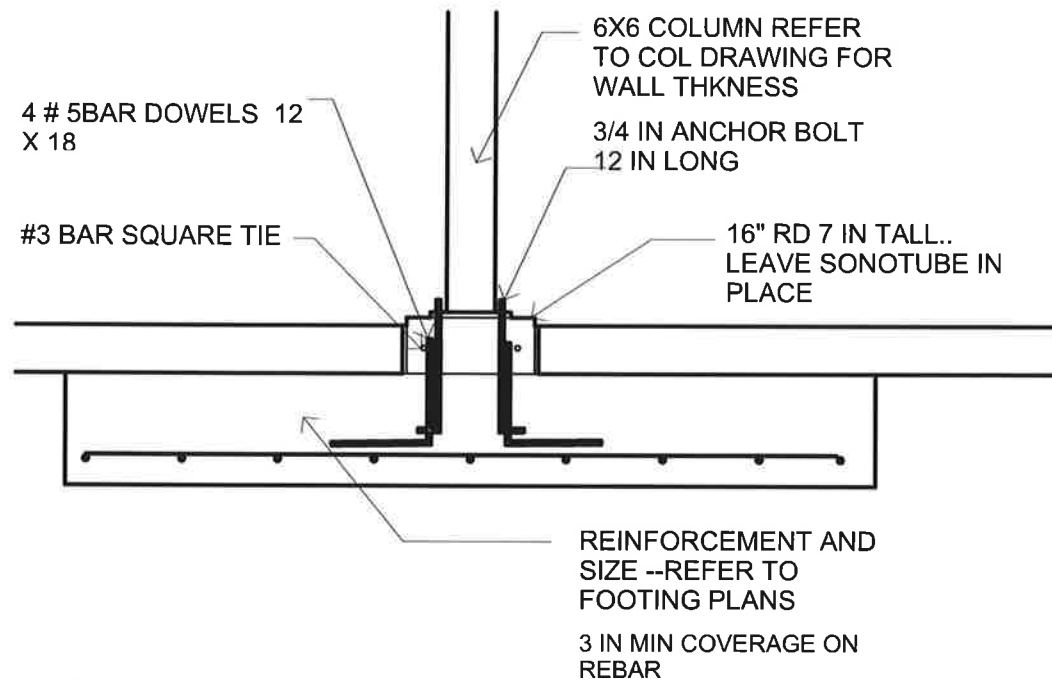
Monroe & Newell
 Engineers, Inc.
 STRUCTURAL ENGINEERS
 1400 GLENARM ST - 101
 DENVER CO 80202 303.623.4927

PERMIT SET FOUNDATION ONLY 16 JUN 2019

STRUCTURAL DETAILS

767 NILE ST GOLDEN CO JEFFERSON COUNTY	H MANUFACTURING CO	KARIUS ARCHITECTURE LLC	PO BOX 125 303.393.6350 DENVER CO 80201 pk@karius.com	date 16 JUN 2019 REV xxx	\$8.28 <small>(C) COPYRIGHT 2019</small>
---	---------------------------	-------------------------------	--	-----------------------------	--

(C) COPYRIGHT KARIUS ARCHITECTURE LLC. THESE DRAWINGS ARE PROPERTY OF THE ARCHITECT AND ARE INSTRUMENTS OF SERVICE. THEY CAN NOT BE COPIED OR REPRODUCED IN ANY MANNER WITHOUT WRITTEN CONSENT OF THE ARCHITECT.



SD 18 FOOTING TO COL DETAIL



Monroe & Newell
Engineers, Inc.
STRUCTURAL ENGINEERS
1400 GLENARM ST - 101
DENVER CO 80202 303.623.4927

PERMIT SET FOUNDATION ONLY 16 JUN 2019

STRUCTURAL DETAILS

	767 NILES ST GOLDEN CO JEFFERSON COUNTY	H MANUFACTURING CO	KARIUS ARCHITECTURE LLC	PO BOX 125 303.393.6350 DENVER CO 80201 pk@karius.com	date 16 JUN 2019 REV xxx	\$8.29 <small>(C) COPYRIGHT 2019</small>
--	--	---------------------------	-------------------------------	--	-----------------------------	--